



1.866.753.3832

Visit [www.advancedsleeve.com](http://www.advancedsleeve.com)

for New Product Updates and Downloads

# OUTBOARD MARINE Sleeves

## Chrysler / Force

H.P.	Year	# Cyl	Description	Type	Bore	Length	OD	Part #	Price
35	ALL	2	STRAIGHT SLEEVE WITHOUT PORTS 3" BORE CROSSFLOW	CS	3.000"	5.250"	3.125" 3.188" 3.250"	1011SA 1011SB 1011SC	\$57.26 \$57.26 \$57.26
50	ALL	2	STRAIGHT SLEEVE WITHOUT PORTS 3 3/16" BORE CROSSFLOW	CS	3.187"	5.050"	3.313" 3.333"	1064SA 1064SB	\$57.26 \$57.26
60	ALL	2	STRAIGHT SLEEVE WITH PORTS	CS	3.375"	5.225"	3.750"	1127SA	\$89.75
70	ALL	3	STRAIGHT SLEEVE WITHOUT PORTS	CS	3.312"	5.565"	3.440"	1015SA	\$57.26
90		3	3 5/16" BORE CROSSFLOW				3.503"	1015SB	\$57.26
100		4					3.565"	1015SC	\$57.26
125		4	FLANGED SLEEVE WITHOUT PORTS				3.440"	1015FA	\$73.91
150		4	3 5/16" BORE CROSSFLOW 1.180" Flange Thickness						
90	ALL	3	STRAIGHT SLEEVE WITHOUT PORTS	CS	3.375"	5.510"	3.500"	1049SA	\$57.26
115		4	3 3/8" BORE CROSSFLOW				3.563"	1049SB	\$57.26
140		4					3.625"	1049SC	\$57.26
150		4	FLANGED SLEEVE WITHOUT PORTS 3 3/8" BORE CROSSFLOW				3.500"	1049FA	\$73.91

## Honda 4-Stroke

H.P.	Year	# Cyl	Description	Type	Bore	Length	OD	Part #	Price
50	2000	3	STRAIGHT 4 STROKE SLEEVE		2.748"	4.625"	3.000"	1158SA 1158SB	\$68.60 \$68.60
115	1996-06	4	STRAIGHT 4 STROKE SLEEVE		3.386"	6.000"	3.510" 3.530"	1157SA 1157SB	\$86.86 \$86.86
225		6	STRAIGHT 4 STROKE SLEEVE		3.500"	5.225"	3.660" 3.680"	1196SA 1196SB	\$86.86 \$86.86

## Mercury

H.P.	Year	# Cyl	Description	Type	Bore	Length	OD	Part #	Price
10	1984-85	2	STRAIGHT SLEEVE	CR	2.561"	4.690"	2.753"	1072SA	\$89.75
18	1984-95		WITH PORTS				2.773"	1072SB	\$89.75
20	1984-04								
25	1984-04								
35	ALL	2	STRAIGHT SLEEVE WITHOUT PORTS	CS	2.875"	4.875"	3.003" 3.128"	1018SA 1018SB	\$57.26 \$57.26
40	1994-04	2	STRAIGHT SLEEVE WITH PORTS	RS	2.993"	5.585"	3.200" 3.220"	1200SA 1200SB	\$92.03 \$92.03
35	1999	3	STRAIGHT SLEEVE WITH PORTS	RS	2.993	5.585"	3.200"	1115SA	\$101.24
40	1998-04		INCLUDES MERCURY JET				3.220"	1115SB	\$101.24
50							3.240"	1115SC	\$101.24
60									
40	1991-97	3	STRAIGHT SLEEVE WITH PORTS		2.955"	5.280"	3.200" 3.220"	1177SA 1177SB	\$101.24 \$101.24
40	1990-95	4	STRAIGHT SLEEVE WITHOUT PORTS	CS	2.565"	4.688"	2.688"	1032SA	\$57.26
45	1986-89		CLASSIC SERIES				2.813"	1032SB	\$57.26
50	1970-85								
50	1984-90	3	STRAIGHT SLEEVE WITH PORTS 3 EXH. WITH BOOST PORT	CS	2.875"	4.875"	3.003" 3.128"	1021SA 1021SB	\$89.75 \$89.75
50	1991-97	3	STRAIGHT SLEEVE WITH PORTS 2 FINGER PORTS (BRACKET ENGINE)	RS	2.955"	5.280"	3.200" 3.220"	1062SA 1062SB	\$101.24 \$101.24
			EXHAUST HAS COMPRESSION NOTCH				3.240"	1062SC	\$101.24
			<b>•EXHAUST DIMENSIONS :</b> NOTCH TO DECK 1.195", TOP TO DECK 1.700", BOTTOM TO DECK 2.585", WIDTH 1.760"						
50	1998-04	3	STRAIGHT SLEEVE WITH PORTS 2 LITTLE FINGER PORTS	RS	2.953"	5.280"	3.200" 3.220"	1123SA 1123SB	\$101.24 \$101.24
			EXHAUST HAS COMPRESSION NOTCH						
			<b>•EXHAUST DIMENSIONS :</b> NOTCH TO DECK 1.225", TOP TO DECK 1.710" BOTTOM TO DECK 2.545", WIDTH 1.730"						
60	1980-83	2	STRAIGHT SLEEVE WITH PORTS (NO. 6E9) MARINER ONLY	RS	3.228"	5.565"	3.434" 3.450"	1035SA 1035SB	\$101.24 \$101.24
60		3	STRAIGHT SLEEVE	CS	2.875"	4.875"	3.003"	1018SA	\$57.26
65	1972-76	3	WITHOUT PORTS				3.128"	1018SB	\$57.26
70	1977-83	3							
75		4							
80		4							
60	1984-90	3	STRAIGHT SLEEVE WITH PORTS	CS	2.875"	4.875"	3.003"	1021SA	\$89.75
65	1972-76		3 EXH. WITH BOOST PORT				3.128"	1021SB	\$89.75
70	1977-83								



1.866.753.3832

Visit [www.advancedsleeve.com](http://www.advancedsleeve.com)  
for New Product Updates and Downloads

# OUTBOARD MARINE Sleeves

## Mercury

H.P.	Year	# Cyl	Description	Type	Bore	Length	OD	Part #	Price
60	1991-97	3	STRAIGHT SLEEVE WITH PORTS 2 FINGER PORTS (BRACKET ENGINE) EXHAUST HAS COMPRESSION NOTCH <b>•EXHAUST DIMENSIONS :</b> NOTCH TO DECK 1.195", TOP TO DECK 1.700", BOTTOM TO DECK 2.585", WIDTH 1.760"	RS	2.955"	5.280"	3.200" 3.220" 3.240"	<b>1062SA</b> <b>1062SB</b> <b>1062SC</b>	\$101.24 \$101.24 \$101.24
60	1998-00	3	STRAIGHT SLEEVE WITH PORTS 2 LITTLE FINGER PORTS EXHAUST HAS COMPRESSION NOTCH <b>•EXHAUST DIMENSIONS :</b> NOTCH TO DECK 1.225", TOP TO DECK 1.710", BOTTOM TO DECK 2.545", WIDTH 1.730"	RS	2.953"	5.280"	3.200" 3.220"	<b>1123SA</b> <b>1123SB</b>	\$101.24 \$101.24
70	1987-89	3	STRAIGHT SLEEVE WITH PORTS	RS	3.375"	5.490"	3.642"	<b>1050SA</b>	\$101.24
75	1990-93		MUST BORE TO INSTALL OUR STD. SLEEVE				3.662"	<b>1050SB</b>	\$101.24
80	1987-89		STOCK SLEEVE IS 3.575" O.D.						
70			STRAIGHT SLEEVE WITH PORTS	RS	3.375"	5.490"	3.642"	<b>1176SA</b>	\$101.24
75							3.662"	<b>1176SB</b>	\$101.24
75	1984-86	3	STRAIGHT SLEEVE WITH PORTS 4 EXH. WITH BOOST PORT	CS	2.875"	4.875"	3.003" 3.128"	<b>1022SA</b> <b>1022SB</b>	\$89.75 \$89.75
75	1994-04	3	STRAIGHT SLEEVE WITH PORTS NO COMPRESSION NOTCH <b>•EXHAUST DIMENSIONS :</b> TOP TO DECK 1.885", BOTTOM TO DECK 2.775", WIDTH 2.345"	RS	3.500"	3.475"	3.766" 3.786"	<b>1101SA</b> <b>1101SB</b>	\$101.24 \$101.24
80	1968-74	4	STRAIGHT SLEEVE WITH PORTS 4 EXH. WITH OUT BOOST PORT	CS	2.875"	4.875"	3.003" 3.128"	<b>1043SA</b> <b>1043SB</b>	\$89.75 \$89.75
80	1978-84	4	STRAIGHT SLEEVE WITH PORTS	CS	2.875"	4.875"	3.003"	<b>1022SA</b>	\$89.75
85	1973-77		4 EXH. WITH BOOST PORT				3.128"	<b>1022SB</b>	\$89.75
85	1987-93	3	STRAIGHT SLEEVE WITH PORTS EXHAUST HAS COMPRESSION NOTCH <b>•EXHAUST DIMENSIONS :</b> NOTCH TO DECK 1.160", TOP TO DECK 1.625", BOTTOM TO DECK 2.680", WIDTH 2.010"	RS	3.375"	5.490"	3.642" 3.662" 3.682"	<b>1051SA</b> <b>1051SB</b> <b>1051SC</b>	\$101.24 \$101.24 \$101.24
90	1978-83	6	STRAIGHT SLEEVE WITH PORTS 3 EXH. WITHOUT BOOST PORT	CS	2.875"	4.875"	3.003" 3.128"	<b>1019SA</b> <b>1019SB</b>	\$89.75 \$89.75
90	1987-93	3	STRAIGHT SLEEVE WITH PORTS NO COMPRESSION NOTCH <b>•EXHAUST DIMENSIONS :</b> TOP TO DECK 1.625", BOTTOM TO DECK 2.680", WIDTH 2.010"	RS	3.375"	5.490"	3.642" 3.662"	<b>1137SA</b> <b>1137SB</b>	\$101.24 \$101.24
90	1987-93	3	STRAIGHT SLEEVE WITH PORTS EXHAUST HAS COMPRESSION NOTCH <b>•EXHAUST DIMENSIONS :</b> NOTCH TO DECK 1.160", TOP TO DECK 1.625", BOTTOM TO DECK 2.680", WIDTH 2.010"	RS	3.375"	5.490"	3.642" 3.662" 3.682"	<b>1051SA</b> <b>1051SB</b> <b>1051SC</b>	\$101.24 \$101.24 \$101.24
90	1994-04	3	STRAIGHT SLEEVE WITH PORTS NO COMPRESSION NOTCH <b>•EXHAUST DIMENSIONS :</b> TOP TO DECK 1.885", BOTTOM TO DECK 2.775", WIDTH 2.345"	RS	3.500"	5.770"	3.766" 3.786"	<b>1101SA</b> <b>1101SB</b>	\$101.24 \$101.24
90	1994-04	3	STRAIGHT SLEEVE WITH PORTS EXHAUST HAS COMPRESSION NOTCH <b>•EXHAUST DIMENSIONS :</b> NOTCH TO DECK 1.000", TOP TO DECK 1.870", BOTTOM TO DECK 2.760", WIDTH 2.345"	RS	3.500"	5.770"	3.766" 3.786"	<b>1150SA</b> <b>1150SB</b>	\$101.24 \$101.24
90	2005-06		OPTIMAX STRAIGHT SLEEVE WITH PORTS NO COMPRESSION NOTCH <b>•EXHAUST DIMENSIONS :</b> TOP TO DECK 1.585", BOTTOM TO DECK 2.840", WIDTH 2.335"	S	3.625"	5.975"	3.884" 3.904"	<b>1189SA</b> <b>1189SB</b>	\$107.35 \$107.35
100	1987-93	4	STRAIGHT SLEEVE WITH PORTS NO COMPRESSION NOTCH <b>•EXHAUST DIMENSIONS :</b> TOP TO DECK 1.760", BOTTOM TO DECK 2.755", WIDTH 2.350"	RS	3.375"	5.775"	3.642" 3.662" 3.684"	<b>1061SA</b> <b>1061SB</b> <b>1061SC</b>	\$101.24 \$101.24 \$101.24
100	1994-04	4	STRAIGHT SLEEVE WITH PORTS NO COMPRESSION NOTCH <b>•EXHAUST DIMENSIONS :</b> TOP TO DECK 1.865", BOTTOM TO DECK 2.770", WIDTH 2.350"	RS	3.500"	5.770"	3.765" 3.785"	<b>1075SA</b> <b>1075SB</b>	\$101.24 \$101.24



1.866.753.3832

Visit [www.advancedsleeve.com](http://www.advancedsleeve.com)

for New Product Updates and Downloads

# OUTBOARD MARINE Sleeves

## Mercury

H.P.	Year	# Cyl	Description	Type	Bore	Length	OD	Part #	Price
115	1970-81	3	STRAIGHT SLEEVE WITH PORTS 3 EXH. W/O BOOST PORT	CS	2.875"	4.875"	3.003" 3.128"	<b>1020SA</b> <b>1020SB</b>	\$89.75 \$89.75
115	1982-88	6	STRAIGHT SLEEVE WITH PORTS 3 EXH. AND BOOST PORT	CS	2.875"	4.875"	3.003" 3.128"	<b>1021SA</b> <b>1021SB</b>	\$89.75 \$89.75
115	1984-88	4	STRAIGHT SLEEVE WITH PORTS 3 EXH. W/O BOOST PORT	CS	2.875"	4.875"	3.003" 3.128"	<b>1042SA</b> <b>1042SB</b>	\$89.75 \$89.75
115	1989-93	4	STRAIGHT SLEEVE WITH PORTS NO COMPRESSION NOTCH •EXHAUST DIMENSIONS : TOP TO DECK 1.760", BOTTOM TO DECK 2.755", WIDTH 2.350"	RS	3.375"	5.775"	3.642" 3.662" 3.682"	<b>1061SA</b> <b>1061SB</b> <b>1061SC</b>	\$101.24 \$101.24 \$101.24
115	1994-00	4	STRAIGHT SLEEVE WITH PORTS NO COMPRESSION NOTCH •EXHAUST DIMENSIONS : TOP TO DECK 1.865", BOTTOM TO DECK 2.770", WIDTH 2.350"	RS	3.500"	5.770"	3.765" 3.785"	<b>1075SA</b> <b>1075SB</b>	\$101.24 \$101.24
125	1994-00	4	STRAIGHT SLEEVE WITH PORTS NO COMPRESSION NOTCH •EXHAUST DIMENSIONS : TOP TO DECK 1.865", BOTTOM TO DECK 2.770", WIDTH 2.350"	RS	3.500"	5.770"	3.765" 3.785"	<b>1075SA</b> <b>1075SB</b>	\$101.24 \$101.24
135 150	1979-00 thru 1998	6	STRAIGHT SLEEVE WITH PORTS 2.0L XR2 FLANGED SLEEVE WITH PORTS 2.0L XR2, .200" Flange Thickness	CS	3.125"	5.545"	3.313" 3.375" 3.313"	<b>1026SA</b> <b>1026SB</b> <b>1026FA</b>	\$101.24 \$101.24 \$107.35
135	1998-04	6	2.5L OPTI-MAX STRAIGHT SLEEVE WITH PORTS NO COMPRESSION NOTCH •EXHAUST DIMENSIONS : TOP TO DECK 1.650", BOTTOM TO DECK 2.590", WIDTH 2.210"	RS	3.500"	5.275"	3.693" 3.713"	<b>1132SA</b> <b>1132SB</b>	\$107.35 \$107.35
150	1989-92	6	STRAIGHT SLEEVE WITH PORTS XR4 FLANGED SLEEVE WITH PORTS XR4, .250" Flange Thickness	RS	3.375"	5.355"	3.557" 3.577" 3.577"	<b>1070SA</b> <b>1070SB</b> <b>1070FB</b>	\$104.60 \$104.60 \$110.66
140 150 150	1978-81 1973-78 1994-04	6	STRAIGHT SLEEVE WITH PORTS 3 EXH. AND BOOST 2.5L STRAIGHT SLEEVE WITH PORTS XR6 EXHAUST HAS COMPRESSION NOTCH •EXHAUST DIMENSIONS : NOTCH TO DECK 1.300", TOP TO DECK 1.710", BOTTOM TO DECK 2.610", WIDTH 2.215"	CS RS	2.875"	4.875"	3.003" 3.128" 3.693" 3.713" 3.733"	<b>1021SA</b> <b>1021SB</b> <b>1071SA</b> <b>1071SB</b> <b>1071SC</b>	\$89.75 \$89.75 \$107.35 \$107.35 \$107.35
150	1997-00	6	2.5L OPTI-MAX STRAIGHT SLEEVE WITH PORTS NO COMPRESSION NOTCH •EXHAUST DIMENSIONS : TOP TO DECK 1.760", BOTTOM TO DECK 2.700", WIDTH 2.215"	RS	3.500"	5.320"	3.693" 3.713"	<b>1143SA</b> <b>1143SB</b>	\$107.35 \$107.35
150	2000-03	6	2.5L STRAIGHT SLEEVE WITH PORTS EXHAUST HAS COMPRESSION NOTCH •EXHAUST DIMENSIONS : NOTCH TO DECK 1.360", TOP TO DECK 1.780", BOTTOM TO DECK 2.690", WIDTH 2.210"	RS	3.500"	5.320"	3.693" 3.713"	<b>1139SA</b> <b>1139SB</b>	\$107.35 \$107.35
175	thru 1981	6	STRAIGHT SLEEVE WITH PORTS XR2 2.0L FLANGED SLEEVE WITH PORTS 2.0L, .200" Flange Thickness	CS	3.125"	5.545"	3.313" 3.375" 3.313"	<b>1026SA</b> <b>1026SB</b> <b>1026FA</b>	\$101.24 \$101.24 \$107.35
175	1991-92	6	STRAIGHT SLEEVE WITH PORTS XR4		3.375"	5.384"	3.557" 3.577"	<b>1146SA</b> <b>1146SB</b>	\$104.60 \$104.60
175	1983-92	6	STRAIGHT SLEEVE WITH PORTS 2.4L FLANGED SLEEVE WITH PORTS 2.4L, .250" Flange Thickness STRAIGHT SLEEVE WITH PORTS SAME AS 1027 SERIES EXCEPT LENGTH	CR CR	3.375"	5.550" 5.410"	3.565" 3.585" 3.628" 3.565" 3.585" 3.628" 3.565" 3.585" 3.628"	<b>1027SA</b> <b>1027SB</b> <b>1027SC</b> <b>1027FA</b> <b>1027FB</b> <b>1027FC</b> <b>1044SA</b> <b>1044SB</b> <b>1044SC</b>	\$104.60 \$104.60 \$104.60 \$110.72 \$110.72 \$110.72 \$104.60 \$104.60 \$104.60



1.866.753.3832

Visit [www.advancedsleeve.com](http://www.advancedsleeve.com)  
for New Product Updates and Downloads

# OUTBOARD MARINE Sleeves

## Mercury

H.P.	Year	# Cyl	Description	Type	Bore	Length	OD	Part #	Price
175	1991-95	6	2.5L STRAIGHT SLEEVE WITH PORTS NO COMPRESSION NOTCH •EXHAUST DIMENSIONS : TOP TO DECK 1.610", BOTTOM TO DECK 2.650", WIDTH 2.315"	RS	3.500"	5.275"	3.693"	1041SA	\$107.35
							3.713"	1041SB	\$107.35
							3.733"	1041SC	\$107.35
			2.5L FLANGED SLEEVE WITH PORTS (XRI) NO COMPRESSION NOTCH •EXHAUST DIMENSIONS : TOP TO DECK 1.610", BOTTOM TO DECK 2.650", WIDTH 2.315", .250" Flange Thickness				3.693"	1041FA	\$113.49
							3.713"	1041FB	\$113.49
							3.733"	1041FC	\$113.49
175	1996-00	6	2.5L STRAIGHT SLEEVE WITH PORTS EXHAUST HAS COMPRESSION NOTCH •EXHAUST DIMENSIONS : NOTCH TO DECK 1.165", TOP TO DECK 1.635", BOTTOM TO DECK 2.635", WIDTH 2.330"	RS	3.500"	5.275"	3.693"	1095SA	\$107.35
							3.713"	1095SB	\$107.35
							3.733"	1095SB	\$107.35
175	2000-04	6	2.5L STRAIGHT SLEEVE WITH PORTS EXHAUST HAS COMPRESSION NOTCH •EXHAUST DIMENSIONS : NOTCH TO DECK 1.110", TOP TO DECK 1.680", BOTTOM TO DECK 2.670", WIDTH 2.335"	RS	3.500"	5.325"	3.693"	1138SA	\$107.35
							3.713"	1138SB	\$107.35
200	1978-82	6	2.4L STRAIGHT SLEEVE WITH PORTS NO BOOST PORTS	CR	3.375"	5.550"	3.565"	1048SA	\$104.60
							3.585"	1048SB	\$104.60
							3.628"	1048SC	\$104.60
			2.4L FLANGED SLEEVE WITH PORTS NO BOOST PORTS, .250" Flange Thickness				3.565"	1048FA	\$110.66
200	1982-90	6	STRAIGHT SLEEVE WITH PORTS 2.4L	CR	3.375"	5.550"	3.565"	1027SA	\$104.60
							3.585"	1027SB	\$104.60
							3.628"	1027SC	\$104.60
200	1983-90	EFI							
200	1983-90	6	FLANGED SLEEVE WITH PORTS 2.4L, .250" Flange Thickness	CR	3.375"	5.410"	3.565"	1027FA	\$110.72
							3.585"	1027FB	\$110.72
							3.628"	1027FC	\$110.72
200	1982-90	6	STRAIGHT SLEEVE WITH PORTS SHORT 2.4L	CR	3.375"	5.410"	3.565"	1044SA	\$104.60
							3.585"	1044SB	\$104.60
							3.628"	1044SC	\$104.60
200	1983-90	EFI							
200	2000-04	6	2.5L STRAIGHT SLEEVE WITH PORTS NO COMPRESSION NOTCH •EXHAUST DIMENSIONS : TOP TO DECK 1.645", BOTTOM TO DECK 2.675" WIDTH 2.340" - HOLES UNDER INTAKE PORTS	RS	3.500"	5.320"	3.693"	1149SA	\$107.35
							3.713"	1149SB	\$107.35
200	1986-87	6	2.4L STRAIGHT SLEEVE WITH PORTS	CR	3.375"	5.550"	3.565"	1151SA	\$104.60
200	1987-91	6	2.4L STRAIGHT SLEEVE WITH PORTS BRIDGEPORT	CR	3.375"	5.550"	3.565"	1047SA	\$104.60
							3.585"	1047SB	\$104.60
							3.628"	1047SC	\$104.60
			2.4L FLANGED SLEEVE WITH PORTS BRIDGEPORT, .250" Flange Thickness				3.565"	1047FA	\$110.72
							3.585"	1047FB	\$110.72
200	1987-91	6	2.4L STRAIGHT SLEEVE WITH PORTS	CR	3.375"	5.410"	3.565"	1114SA	\$104.60
							3.585"	1114SB	\$104.60
							3.628"	1114SC	\$104.60
200	1990-95	6	2.5L STRAIGHT SLEEVE WITH PORTS NO COMPRESSION NOTCH •EXHAUST DIMENSIONS : TOP TO DECK 1.610", BOTTOM TO DECK 2.650", WIDTH 2.315"	RS	3.500"	5.275"	3.693"	1041SA	\$107.35
							3.713"	1041SB	\$107.35
							3.733"	1041SC	\$107.35
			FLANGED SLEEVE WITH PORTS .250" Flange Thickness				3.693"	1041FA	\$113.49
							3.710"	1041FB	\$113.49
							3.733"	1041FC	\$113.49
200	1996-00	6	2.5L STRAIGHT SLEEVE WITH PORTS NO COMPRESSION NOTCH •EXHAUST DIMENSIONS : TOP TO DECK 1.595", BOTTOM TO DECK 2.635", WIDTH 2.330"	RS	3.500"	5.275"	3.693"	1092SA	\$107.35
							3.710"	1092SB	\$107.35
							3.730"	1092SC	\$107.35
200	1999-UP	6	2.5L OPTI-MAX STRAIGHT SLEEVE WITH PORTS NO COMPRESSION NOTCH •EXHAUST DIMENSIONS : TOP TO DECK 1.635", BOTTOM TO DECK 2.675", WIDTH 2.330"	RS	3.500"	5.320"	3.693"	1124SA	\$107.35
							3.713"	1124SB	\$107.35
							3.733"	1124SC	\$107.35



1.866.753.3832

Visit [www.advancedsleeve.com](http://www.advancedsleeve.com)

for New Product Updates and Downloads

# OUTBOARD MARINE Sleeves

## Mercury

H.P.	Year	# Cyl	Description	Type	Bore	Length	OD	Part #	Price
200	1998-00	6	3.0L OPTIMAX	RS	3.625"	6.195"	3.884"	<b>1148PSA</b>	\$110.01
			STRAIGHT SLEEVE WITH PORTS				3.904"	<b>1148PSB</b>	\$110.01
			NO COMPRESSION NOTCH				3.885"	<b>1148SSA</b>	\$110.01
			•EXHAUST DIMENSIONS :				3.904"	<b>1148SSB</b>	\$110.01
			TOP TO DECK 1.805", BOTTOM TO DECK 3.065", WIDTH 2.145"						
			SLEEVES ARE PORTS AND STARBOARDS						
220	1989-91	6	STRAIGHT SLEEVE WITH PORTS	CR	3.375"	5.550"	3.565"	<b>1077SA</b>	\$107.35
			220 XRI LASER				3.585"	<b>1077SB</b>	\$107.35
							3.605"	<b>1077SC</b>	\$107.35
200	1998-04	6	3.0L OPTIMAX	RS	3.625"	6.195"	3.884"	<b>1178PSA</b>	\$110.11
			STRAIGHT SLEEVE WITH PORTS				3.904"	<b>1178PSB</b>	\$110.11
			NO COMPRESSION NOTCH				3.884"	<b>1178SSA</b>	\$110.11
			•EXHAUST DIMENSIONS :				3.904"	<b>1178SSB</b>	\$110.11
			TOP TO DECK 1.895", BOTTOM TO DECK 3.070", WIDTH 2.150"						
			SLEEVES ARE PORTS AND STARBOARDS						
225	1978-82	6	2.4L STRAIGHT SLEEVE WITH PORTS	CR	3.375"	5.550"	3.565"	<b>1048SA</b>	\$104.60
			NO BOOST PORTS				3.585"	<b>1048SB</b>	\$104.60
							3.628"	<b>1048SC</b>	\$104.60
							3.565"	<b>1048FA</b>	\$110.66
			2.4L FLANGED SLEEVE WITH PORTS NO BOOST PORTS, .250" Flange Thickness						
225	1994-98	6	3.0L STRAIGHT SLEEVE WITH PORTS	RS	3.625"	6.195"	3.884"	<b>1073SA</b>	\$107.35
			NO COMPRESSION NOTCH				3.904"	<b>1073SB</b>	\$107.35
			•EXHAUST DIMENSIONS :						
			TOP TO DECK 1.765", BOTTOM TO DECK 3.050", WIDTH 2.330"						
			SLEEVES ARE PORTS AND STARBOARDS						
225	2000	6	3.0L STRAIGHT SLEEVE WITH PORTS	RS	3.625"	6.195"	3.884"	<b>1175PSA</b>	\$107.35
			NO COMPRESSION NOTCH				3.904"	<b>1175PSB</b>	\$107.35
			•EXHAUST DIMENSIONS :				3.884"	<b>1175SSA</b>	\$107.35
							3.904"	<b>1175SSB</b>	\$107.35
			TOP TO DECK 1.760", BOTTOM TO DECK 3.055", WIDTH 2.355"						
			SLEEVES ARE PORTS AND STARBOARDS						
225	1998-04	6	2.5L STRAIGHT SLEEVE WITH PORTS	RS	3.500"	5.275"	3.693"	<b>1092SA</b>	\$107.35
			NO COMPRESSION NOTCH				3.713"	<b>1092SB</b>	\$107.35
			•EXHAUST DIMENSIONS :				3.730"	<b>1092SC</b>	\$107.35
			TOP TO DECK 1.595", BOTTOM TO DECK 2.635", WIDTH 2.330"						
225	2001-04	6	3.0LOPTIMAX	RS	3.625"	6.195"	3.884"	<b>1181PSA</b>	\$110.11
			STRAIGHT SLEEVE WITH PORTS				3.904"	<b>1181PSB</b>	\$110.11
			NO COMPRESSION NOTCH				3.924"	<b>1181PSC</b>	\$110.11
			•EXHAUST DIMENSIONS :				3.884"	<b>1181SSA</b>	\$110.11
	3.904"	<b>1181SSB</b>	\$110.11						
	3.924"	<b>1181SSC</b>	\$110.11						
			SLEEVES ARE PORTS AND STARBOARDS						
225	1999-01	6	3.0L OPTIMAX	RS	3.625"	6.195"	3.884"	<b>1164SA</b>	\$110.11
			NO COMPRESSION NOTCH				3.904"	<b>1164SB</b>	\$110.11
			•EXHAUST DIMENSIONS :						
			TOP TO DECK 1.855", BOTTOM TO DECK 3.075", WIDTH 2.140"						
250	1994-00	6	3.0L STRAIGHT SLEEVE WITH PORTS	RS	3.625"	6.195"	3.884"	<b>1073SA</b>	\$107.35
			NO COMPRESSION NOTCH				3.904"	<b>1073SB</b>	\$107.35
			•EXHAUST DIMENSIONS :						
			TOP TO DECK 1.765", BOTTOM TO DECK 3.050", WIDTH 2.330"						
250	1990-93	6	3.4L STRAIGHT SLEEVE WITH PORTS	CR	3.740"	6.700"	3.945"	<b>1099SA</b>	\$131.17
			COSWORTH BLOCK				3.965"	<b>1099SB</b>	\$131.17
250	1998-04	6	3.0L OPTIMAX	RS	3.625"	6.195"	3.884"	<b>1148PSA</b>	\$110.01
			STRAIGHT SLEEVE WITH PORTS				3.904"	<b>1148PSB</b>	\$110.01
			NO COMPRESSION NOTCH				3.885"	<b>1148SSA</b>	\$110.01
			•EXHAUST DIMENSIONS :				3.904"	<b>1148SSB</b>	\$110.01
			TOP TO DECK 1.805", BOTTOM TO DECK 3.065", WIDTH 2.145"						
			SLEEVES ARE PORTS AND STARBOARDS						
250	2001	6	3.0L OPTIMAX	RS	3.625"	6.195"	3.884"	<b>1164SA</b>	\$110.01
			NO COMPRESSION NOTCH				3.904"	<b>1164SB</b>	\$110.01
			•EXHAUST DIMENSIONS :						
			TOP TO DECK 1.855", BOTTOM TO DECK 3.075", WIDTH 2.140"						



1.866.753.3832

Visit [www.advancedsleeve.com](http://www.advancedsleeve.com)  
for New Product Updates and Downloads

# OUTBOARD MARINE Sleeves

## Mercury

H.P.	Year	# Cyl	Description	Type	Bore	Length	OD	Part #	Price					
250	2003	6	3.0L OPTIMAX PRO XB AND XS	RS	3.625"	6.195"	3.884"	<b>1175PSA</b>	\$107.35					
			STRAIGHT SLEEVE WITH PORTS				3.884"	<b>1175SSB</b>	\$107.35					
			NO COMPRESSION NOTCH				3.904"	<b>1175PSA</b>	\$107.35					
			<b>•EXHAUST DIMENSIONS :</b>				3.904"	<b>1175SSB</b>	\$107.35					
			TOP TO DECK 1.760", BOTTOM TO DECK 3.055", WIDTH 2.355"											
SLEEVES ARE PORTS AND STARBOARDS														
250	2006-07	6	3.0L OPTIMAX XS	RS	3.625"	6.195"	3.884"	<b>1193PSA</b>	\$107.35					
			STRAIGHT SLEEVE WITH PORTS				3.884"	<b>1193PSB</b>	\$107.35					
			NO COMPRESSION NOTCH				3.904"	<b>1193SSA</b>	\$107.35					
			<b>•EXHAUST DIMENSIONS :</b>				3.904"	<b>1193SSB</b>	\$107.35					
			TOP TO DECK 1.775", BOTTOM TO DECK 3.070", WIDTH 2.340"											
SLEEVES ARE PORTS AND STARBOARDS														
260	1991-97	6	2.5L NIKASIL BLOCK	RSN	3.500"		3.821"	<b>1053SA</b>	\$112.98					
			CAST IRON SLEEVE				3.841"	<b>1053SB</b>	\$112.98					
							3.861"	<b>1053SC</b>	\$112.98					
			FLANGED VERSION OF ABOVE				3.821"	<b>1053FA</b>	\$119.10					
			CAST IRON SLEEVE, 1.250" Flange Thickness				3.841"	<b>1053FB</b>	\$119.10					
							3.861"	<b>1053FC</b>	\$119.10					
			2.5L NIKASIL BLOCK				3.821"	<b>1128SA</b>	\$180.50					
			ALUMINUM SLEEVE				3.841"	<b>1128SB</b>	\$180.50					
			Note: Unplated forged aluminum sleeve (3.480" ID).				3.861"	<b>1128SC</b>	\$180.50					
			Requires boring and plating after installation.				3.881"	<b>1128SD</b>	\$180.50					
			2.5L NIKASIL BLOCK ALUMINUM SLEEVE				3.831"	<b>1167SA</b>	\$180.50					
			Note: Unplated forged aluminum sleeve (3.514" ID).				3.851"	<b>1167SB</b>	\$180.50					
			Plating required before or after installation.					<b>+0.010</b>						
							3.871"	<b>1167SC</b>	\$180.50					
								<b>+0.010</b>						
2.5L NIKASIL BLOCK ALUMINUM SLEEVE		3.821"	<b>1117SA</b>	\$363.79										
Note: Semi-finished forged aluminum Nikasil plated.		3.841"	<b>1117SB</b>	\$363.79										
Diamond honing required after installation.		3.861"	<b>1117SC</b>	\$363.79										
275	1990-93	6	STRAIGHT SLEEVE WITH PORTS	CR	3.740"		3.945"	<b>1099SA</b>	\$131.17					
			3.4L COSWORTH BLOCK				3.965"	<b>1099SB</b>	\$131.17					
280	1998-04	6	2.5L NIKASIL BLOCK	RSN	3.500"	4.915"	3.821"	<b>1100SA</b>	\$112.98					
			CAST IRON SLEEVE				3.841"	<b>1100SB</b>	\$112.98					
							3.861"	<b>1100SC</b>	\$112.98					
			2.5L NIKASIL BLOCK ALUMINUM SLEEVE				3.821"	<b>1134SA</b>	\$180.50					
			Note: Unplated forged aluminum sleeve (3.480" ID).				3.841"	<b>1134SB</b>	\$180.50					
			Requires boring and plating after installation.				3.861"	<b>1134SC</b>	\$180.50					
			2.5L NIKASIL BLOCK ALUMINUM SLEEVE				3.831"	<b>1168SA</b>	\$180.50					
			Note: Unplated forged aluminum sleeve (3.514" ID).				3.851"	<b>1168SB</b>	\$180.50					
			Plating required before or after installation.					<b>+0.010</b>						
							3.871"	<b>1168SC</b>	\$180.50					
								<b>+0.010</b>						
			2.5L NIKASIL BLOCK ALUMINUM SLEEVE				3.821"	<b>1129SA</b>	\$363.79					
			Note: Semi-finished forged aluminum Nikasil plated.				3.841"	<b>1129SB</b>	\$363.79					
			Diamond honing required after installation.				3.861"	<b>1129SC</b>	\$363.79					
300 (S3000)	1998-00	6	2.5L NIKASIL BLOCK CAST IRON SLEEVE	RSN	3.500"		3.821"	<b>1082SA</b>	\$112.98					
						3.841"	<b>1082SB</b>	\$112.98						
						3.861"	<b>1082SC</b>	\$112.98						
			2.5L NIKASIL BLOCK ALUMINUM SLEEVE					3.821"	<b>1131SA</b>	\$180.50				
			Note: Unplated forged aluminum sleeve (3.480" ID).					3.841"	<b>1131SB</b>	\$180.50				
			Requires boring and plating after installation.					3.861"	<b>1131SC</b>	\$180.50				
			2.5L NIKASIL BLOCK ALUMINUM SLEEVE					3.831"	<b>1162SA</b>	\$180.50				
			Note: Unplated forged aluminum sleeve (3.514" ID).					3.851"	<b>1162SB</b>	\$180.50				
			Plating required before or after installation.						<b>+0.010</b>					
								3.871"	<b>1162SC</b>	\$180.50				
									<b>+0.010</b>					
								STRAIGHT ALUMINUM PLATED SLEEVE WITH PORTS				3.821"	<b>1120SA</b>	\$363.79
								Note: Semi-finished forged aluminum				3.841"	<b>1120SB</b>	\$363.79
								Nikasil plated. Diamond honing				3.861"	<b>1120SC</b>	\$363.79
								required after installation.						



1.866.753.3832

Visit [www.advancedsleeve.com](http://www.advancedsleeve.com)

for New Product Updates and Downloads

# OUTBOARD MARINE Sleeves

## Mercury

H.P.	Year	# Cyl	Description	Type	Bore	Length	OD	Part #	Price
300	1998-01	6	3.0L PRO MAX EXHAUST HAS COMPRESSION NOTCH	RS	3.625"	6.195"	3.884" 3.904"	<b>1152SA</b> <b>1152SB</b>	\$110.11 \$110.11
<p><b>•EXHAUST DIMENSIONS :</b> NOTCH TO DECK 1.335", TOP TO DECK 1.785", BOTTOM TO DECK 3.045", WIDTH 2.330"</p>									
300	2001-04	6	3.0L PRO MAX STRAIGHT SLEEVE WITH PORTS NO COMPRESSION NOTCH	RS	3.625"	6.195"	3.884" 3.904"	<b>1160SA</b> <b>1160SB</b>	\$110.11 \$110.11
<p><b>•EXHAUST DIMENSIONS :</b> TOP TO DECK 1.715", BOTTOM TO DECK 3.075", WIDTH 2.330"</p>									
300	2001-04	6	3.0L PRO MAX X MOTOR STRAIGHT SLEEVE WITH PORTS NO COMPRESSION NOTCH	RS	3.625"	6.195"	3.884" 3.904"	<b>1163SA</b> <b>1163SB</b>	\$107.35 \$107.35
<p><b>•EXHAUST DIMENSIONS :</b> TOP TO DECK 1.765", BOTTOM TO DECK 3.065", WIDTH 2.330"</p>									
300	2006-07	6	3.0L OPTIMAX XS300 STRAIGHT SLEEVE WITH PORTS NO COMPRESSION NOTCH	RS	3.625"	6.195"	3.884" 3.904" 3.884" 3.904"	<b>1194PSA</b> <b>1194PSB</b> <b>1194SSA</b> <b>1194SSB</b>	\$107.35 \$107.35 \$107.35 \$107.35
<p><b>•EXHAUST DIMENSIONS :</b> TOP TO DECK 1.730", BOTTOM TO DECK 3.020", WIDTH 2.330"</p>									

## Mercury 4-Stroke

H.P.	Year	# Cyl	Description	Type	Bore	Length	OD	Part #	Price
50	1999		FLANGED 4 STROKE SLEEVE .200" Flange Thickness		2.480"	4.600"	2.680"	<b>1161FA</b> <b>1161FB</b>	\$82.56 \$82.56
200	2002		STRAIGHT 4 STROKE SLEEVE		94MM		4.380"	<b>1173SA</b>	\$86.86
225	2002						4.400"	<b>1173SB</b>	\$86.86

## OMC (Johnson/Evinrude)

H.P.	Year	# Cyl	Description	Type	Bore	Length	OD	Part #	Price
9.9	1980-92	2	STRAIGHT SLEEVE WITHOUT PORTS	CS	2.1875"	3.530"	2.313" 2.375"	<b>1031SA</b> <b>1031SB</b>	\$77.92 \$77.92
15	1980-92								
9.9	1993-04	2	STRAIGHT SLEEVE WITHOUT PORTS	CS	2.375"	3.530"	2.500" 2.520"	<b>1147SA</b> <b>1147SB</b>	\$77.92 \$77.92
15									
20	1985-00	2	STRAIGHT SLEEVE WITHOUT PORTS CROSSFLOW	CS	3.000"	5.250"	3.125" 3.188" 3.250"	<b>1011SA</b> <b>1011SB</b> <b>1011SC</b>	\$57.26 \$57.26 \$57.26
25	1976-04	2	STRAIGHT SLEEVE WITHOUT PORTS CROSSFLOW	CS	3.000"	5.250"	3.125" 3.188" 3.250"	<b>1011SA</b> <b>1011SB</b> <b>1011SC</b>	\$57.26 \$57.26 \$57.26
28	1986-89								
30	1985-04								
30	1998-00	3	STRAIGHT SLEEVE WITH PORTS MIRAGE	CS	2.500"	4.687"	2.702" 2.722"	<b>1141SA</b> <b>1141SB</b>	\$110.04 \$110.04
35									
40	1968-76	2	STRAIGHT SLEEVE WITHOUT PORTS CROSSFLOW	CS	3.187"	5.050"	3.312" 3.333" 3.353"	<b>1064SA</b> <b>1064SB</b> <b>1064SC</b>	\$57.26 \$57.26 \$57.26
40	1981-87	2	STRAIGHT SLEEVE WITHOUT PORTS CROSSFLOW	CS	3.000"	5.250"	3.125" 3.188" 3.250"	<b>1011SA</b> <b>1011SB</b> <b>1011SC</b>	\$57.26 \$57.26 \$57.26
40	1985-04	2	STRAIGHT SLEEVE WITH PORTS	RS	3.187"	5.585"	3.442" 3.473"	<b>1007SA</b> <b>1007SB</b>	\$101.04 \$101.04
45	1985-91								
48	1987-93		FLANGED SLEEVE WITH PORTS .250" Flange Thickness				3.453"	<b>1007FA</b>	\$107.16
50	1971-75	2	FLANGED SLEEVE WITH PORTS .125" Flange Thickness	CS	3.062"	5.440"	3.313" 3.333"	<b>1078FA</b> <b>1078FB</b>	\$107.35 \$107.35
50	1979-80	2	FLANGED SLEEVE WITH PORTS .125" Flange Thickness	CS	3.187"	5.450"	3.313" 3.333"	<b>1010FA</b> <b>1010FB</b>	\$107.16 \$107.16
50	1987-04	2	STRAIGHT SLEEVE WITH PORTS	RS	3.187"	5.585"	3.442" 3.473"	<b>1007SA</b> <b>1007SB</b>	\$101.04 \$101.04
<p>FLANGED SLEEVE WITH PORTS .250" Flange Thickness</p>									
50	1995-98	2	STRAIGHT SLEEVE WITH PORTS OVAL EXHAUST	RS	3.187"	4.530"	3.444" 3.464"	<b>1088SA</b> <b>1088SB</b>	\$101.04 \$101.04
<p>FLANGED SLEEVE WITH PORTS OVAL EXHAUST, .750" Flange Thickness</p>									
55	1976-78	2	FLANGED SLEEVE WITH PORTS 3 EXHAUST PORTS, .125" Flange Thickness	CS	3.187"	5.445"	3.313" 3.333"	<b>1009FA</b> <b>1009FB</b>	\$107.16 \$107.16

**CUSTOM SLEEVES made in ONE WEEK!**



1.866.753.3832

Visit [www.advancedsleeve.com](http://www.advancedsleeve.com)  
for New Product Updates and Downloads

# OUTBOARD MARINE Sleeves

## OMC (Johnson/Evinrude)

H.P.	Year	# Cyl	Description	Type	Bore	Length	OD	Part #	Price
55	1979-80	2	FLANGED SLEEVE WITH PORTS 2 EXHAUST PORTS, .125" Flange Thickness	CS	3.187"	5.445"	3.313" 3.333"	<b>1008FA</b> <b>1008FB</b>	\$107.16 \$107.16
55	1981-95	2	STRAIGHT SLEEVE WITH PORTS	RS	3.187"	5.585"	3.442"	<b>1007SA</b>	\$101.04
60	1980-85						3.473"	<b>1007SB</b>	\$101.04
			FLANGED SLEEVE WITH PORTS .250" Flange Thickness				3.442"	<b>1007FA</b>	\$107.16
60	1986-89	3	STRAIGHT SLEEVE WITH PORTS	CS	3.000"	4.750"	3.190" 3.210"	<b>1003SA</b> <b>1003SB</b>	\$101.24 \$101.24
			FLANGED SLEEVE WITH PORTS .125" Flange Thickness				3.190" 3.210"	<b>1003FA</b> <b>1003FB</b>	\$107.35 \$107.35
60	1986-93	3	STRAIGHT SLEEVE WITH PORTS BRIDGED EXHAUST	RS	3.187"	4.600"	3.444" 3.464" 3.484"	<b>1006SA</b> <b>1006SB</b> <b>1006SC</b>	\$101.04 \$101.04 \$101.04
			FLANGED SLEEVE WITH PORTS BRIDGED EXHAUST, .750" Flange Thickness				3.444"	<b>1006FA</b>	\$107.16
60	1993-00	3	STRAIGHT SLEEVE WITH PORTS OVAL EXHAUST	RS	3.187"	4.530"	3.444" 3.464"	<b>1088SA</b> <b>1088SB</b>	\$101.04 \$101.04
			FLANGED SLEEVE WITH PORTS OVAL EXHAUST, .750" Flange Thickness				3.444"	<b>1088FA</b>	\$107.16
60	ALL	3	STRAIGHT SLEEVE WITH PORTS SST 60 RACE SLEEVE APBA APPROVED	RS	3.187"	4.560"	3.444" 3.464"	<b>1119SA</b> <b>1119SB</b>	\$113.28 \$113.28
65	1972-73	3	STRAIGHT SLEEVE WITH PORTS	CS	3.000"	4.750"	3.190"	<b>1003SA</b>	\$101.24
70	1974-79						3.210"	<b>1003SB</b>	\$101.24
			FLANGED SLEEVE WITH PORTS .125" Flange Thickness				3.190" 3.210"	<b>1003FA</b> <b>1003FB</b>	\$107.35 \$107.35
70	1986-92	3	STRAIGHT SLEEVE WITH PORTS BRIDGED EXHAUST	RS	3.187"	4.600"	3.444" 3.464" 3.484"	<b>1006SA</b> <b>1006SB</b> <b>1006SC</b>	\$101.04 \$101.04 \$101.04
			FLANGED SLEEVE WITH PORTS BRIDGED EXHAUST, .750" Flange Thickness				3.444"	<b>1006FA</b>	\$107.16
70	1993-00	3	STRAIGHT SLEEVE WITH PORTS OVAL EXHAUST	RS	3.187"	4.530"	3.444" 3.464"	<b>1088SA</b> <b>1088SB</b>	\$101.04 \$101.04
			FLANGED SLEEVE WITH PORTS OVAL EXHAUST, .750" Flange Thickness				3.444"	<b>1088FA</b>	\$107.16
75	1975-89	3	STRAIGHT SLEEVE WITH PORTS	CS	3.000"	4.750"	3.190" 3.210"	<b>1003SA</b> <b>1003SB</b>	\$101.24 \$101.24
			FLANGED SLEEVE WITH PORTS .125" Flange Thickness				3.190" 3.210"	<b>1003FA</b> <b>1003FB</b>	\$107.35 \$107.35
85	1969-76	4	STRAIGHT SLEEVE WITHOUT PORTS	CS	3.375"	5.510"	3.500"	<b>1049SA</b>	\$57.26
100	1971-72						3.563" 3.625"	<b>1049SB</b> <b>1049SC</b>	\$57.26 \$57.26
			FLANGED SLEEVE WITHOUT PORTS 1.000" Flange Thickness				3.500"	<b>1049FA</b>	\$73.91
90	1995-99	4	60 DEGREE FASTRIKE STRAIGHT SLEEVE WITH PORTS	RS	3.600"	5.075"	3.800" 3.820"	<b>1097PSA</b> <b>1097PSB</b>	\$107.35 \$107.35
			SLEEVES ARE PORT AND STARBOARD				3.800"	<b>1097SSA</b>	\$107.35
			1.753" EXHAUST HEIGHT				3.820"	<b>1097SSB</b>	\$107.35
90	1999-01	4	60 DEGREE FICHT STRAIGHT SLEEVE WITH PORTS	RS	3.600"	5.075"	3.800" 3.820"	<b>1125PSA</b> <b>1125PSB</b>	\$119.62 \$119.62
			SLEEVES ARE PORT AND STARBOARD				3.800"	<b>1125SSA</b>	\$119.62
			1.610" EXHAUST HEIGHT				3.820"	<b>1125SSB</b>	\$119.62
90	1980-98	4	STRAIGHT SLEEVE WITHOUT PORTS	CS	3.500"	5.125"	3.628"	<b>1000SA</b>	\$57.26
115	1980-98		3 1/2" CROSSFLOW				3.690"	<b>1000SB</b>	\$57.26
GT100	1993						3.753"	<b>1000SC</b>	\$57.26
			FLANGED SLEEVE WITHOUT PORTS 1.250" Flange Thickness				3.628" 3.690"	<b>1000FA</b> <b>1000FB</b>	\$73.91 \$73.91
			FLANGED SLEEVE WITHOUT PORTS .200" Flange Thickness				3.753" 3.628"	<b>1000FC</b> <b>1198FA</b>	\$73.91 \$73.74
							3.690"	<b>1198FB</b>	\$73.74
115	1995-04	4	60 DEGREE FASTRIKE STRAIGHT SLEEVE WITH PORTS	RS	3.600"	5.075"	3.800" 3.820"	<b>1098PSA</b> <b>1098PSB</b>	\$107.35 \$107.35
			SLEEVES ARE PORT AND STARBOARD				3.800"	<b>1098SSA</b>	\$107.35
			1.673" EXHAUST HEIGHT				3.820"	<b>1098SSB</b>	\$107.35
115	1974-94	4	STRAIGHT SLEEVE WITHOUT PORTS	CS	3.500"	5.125"	3.628"	<b>1000SA</b>	\$57.26
125	1971-72		3 1/2" CROSSFLOW				3.690"	<b>1000SB</b>	\$57.26
135	'73-Later						3.753"	<b>1000SC</b>	\$57.26
140	1976-84		FLANGED SLEEVE WITHOUT PORTS 1.250" Flange Thickness				3.628" 3.690"	<b>1000FA</b> <b>1000FB</b>	\$73.91 \$73.91
							3.753"	<b>1000FC</b>	\$73.91
			FLANGED SLEEVE WITHOUT PORTS .200" Flange Thickness				3.628" 3.690"	<b>1198FA</b> <b>1198FB</b>	\$73.74 \$73.74
							3.753"	<b>1198FC</b>	\$73.74



1.866.753.3832

Visit [www.advancedsleeve.com](http://www.advancedsleeve.com)

for New Product Updates and Downloads

# OUTBOARD MARINE Sleeves

## OMC (Johnson/Evinrude)

H.P.	Year	# Cyl	Description	Type	Bore	Length	OD	Part #	Price
115	1999-UP	4	60 DEGREE FICHT	RS	3.600"	5.075"	3.800"	<b>1125PSA</b>	\$119.62
			STRAIGHT SLEEVE WITH PORTS				3.820"	<b>1125PSB</b>	\$119.62
			SLEEVES ARE PORT AND STARBOARD				3.800"	<b>1125SSA</b>	\$119.62
			1.610" EXHAUST HEIGHT				3.820"	<b>1125SSB</b>	\$119.62
120	1985-89	4	STRAIGHT SLEEVE WITH PORTS	RS	3.500"	5.995"	3.875"	<b>1023SA</b>	\$107.35
			BRIDGED EXHAUST				3.895"	<b>1023SB</b>	\$107.35
			FLANGED SLEEVE WITH PORTS				3.875"	<b>1023FA</b>	\$113.49
			BRIDGED EXHAUST, .250" Flange Thickness				3.895"	<b>1023FB</b>	\$113.49
120	1988-94	4	STRAIGHT SLEEVE WITH PORTS	RS	3.685"	5.225"	3.875"	<b>1002SA</b>	\$103.53
125	1988-91	4	BRIDGED EXHAUST				3.895"	<b>1002SB</b>	\$103.53
			FLANGED SLEEVE WITH PORTS				3.915"	<b>1002SC</b>	\$103.53
			BRIDGED EXHAUST, .375" Flange Thickness				3.875"	<b>1002FA</b>	\$130.16
							3.895"	<b>1002FB</b>	\$130.16
							3.915"	<b>1002FC</b>	\$130.16
130	1995-00	4	STRAIGHT SLEEVE WITH PORTS	RS	3.685"	5.225"	3.875"	<b>1081SA</b>	\$103.53
							3.895"	<b>1081SB</b>	\$103.53
135	2000	4	60 DEGREE FICHT STRAIGHT SLEEVE WITH PORTS	RS	3.600"	5.075"	3.800"	<b>1156PSA</b>	\$119.62
			HAS EXTRA OILING, 1.700" EXHAUST HEIGHT / Port				3.820"	<b>1156PSB</b>	\$119.62
			60 DEGREE FICHT FLANGE SLEEVE WITH PORTS				3.800"	<b>1156SSA</b>	\$119.62
			HAS EXTRA OILING, 1.700" EXHAUST HEIGHT / Starboard				3.820"	<b>1156SSB</b>	\$119.62
140	1985-91	4	STRAIGHT SLEEVE WITH PORTS	RS	3.500"	5.995"	3.875"	<b>1023SA</b>	\$107.35
							3.895"	<b>1023SB</b>	\$107.35
140	1988-94	4	STRAIGHT SLEEVE WITH PORTS	RS	3.685"	5.225"	3.875"	<b>1002SA</b>	\$107.35
			BRIDGED EXHAUST				3.895"	<b>1002SB</b>	\$107.35
			FLANGED SLEEVE WITH PORTS				3.915"	<b>1002SC</b>	\$107.35
			BRIDGED EXHAUST, .375" Flange Thickness				3.875"	<b>1002FA</b>	\$130.16
							3.895"	<b>1002FB</b>	\$130.16
							3.915"	<b>1002FC</b>	\$130.16
150	1991	6	60 DEGREE FASTRIKE STRAIGHT SLEEVE WITH PORTS	RS	3.600"	5.075"	3.800"	<b>1066PSA</b>	\$107.35
			1.660" EXHAUST HEIGHT / Port				3.820"	<b>1066PSB</b>	\$107.35
			60 DEGREE FASTRIKE STRAIGHT SLEEVE WITH PORTS				3.800"	<b>1066SSA</b>	\$107.35
			1.660" EXHAUST HEIGHT / Starboard				3.820"	<b>1066SSB</b>	\$107.35
150	1992-04	6	60 DEGREE FASTRIKE STRAIGHT SLEEVE WITH PORTS	RS	3.600"	5.075"	3.800"	<b>1045PSA</b>	\$107.35
			1.700" EXHAUST HEIGHT / Port				3.820"	<b>1045PSB</b>	\$107.35
			60 DEGREE FASTRIKE STRAIGHT SLEEVE WITH PORTS				3.840"	<b>1045PSC</b>	\$107.35
			1.700" EXHAUST HEIGHT / Starboard				3.800"	<b>1045SSA</b>	\$107.35
							3.840"	<b>1045SSC</b>	\$107.35
150	1994-UP	6	60 DEGREE GL FASTRIKE INTRUDER STRAIGHT SLEEVE	RS	3.600"	5.075"	3.800"	<b>1126PSA</b>	\$107.35
			WITH PORTS, 1.700" EXHAUST HEIGHT / Port				3.820"	<b>1126PSB</b>	\$107.35
			60 DEGREE GL FASTRIKE INTRUDER STRAIGHT SLEEVE				3.800"	<b>1126SSA</b>	\$107.35
			WITH PORTS, 1.700" EXHAUST HEIGHT / Starboard				3.820"	<b>1126SSB</b>	\$107.35
150	1997-99	6	60 DEGREE FICHT STRAIGHT SLEEVE WITH PORTS	RS	3.600"	5.075"	3.800"	<b>1116PSA</b>	\$119.62
			HAS EXTRA OILING 1.720" EXHAUST HEIGHT / Port				3.820"	<b>1116PSB</b>	\$119.62
			60 DEGREE FICHT STRAIGHT SLEEVE WITH PORTS				3.800"	<b>1116SSA</b>	\$119.62
			HAS EXTRA OILING 1.720" EXHAUST HEIGHT / Starboard				3.820"	<b>1116SSB</b>	\$119.62
150	2000	4	60 DEGREE FICHT STRAIGHT SLEEVE WITH PORTS	RS	3.600"	5.075"	3.800"	<b>1156SSA</b>	\$119.62
			HAS EXTRA OILING, 1.700" EXHAUST HEIGHT / Port				3.820"	<b>1156SSB</b>	\$119.62
			60 DEGREE FICHT FLANGE SLEEVE WITH PORTS				3.800"	<b>1156PSA</b>	\$119.62
			HAS EXTRA OILING, 1.700" EXHAUST HEIGHT / Starboard				3.820"	<b>1156PSB</b>	\$119.62
175	1976-91	6	STRAIGHT SLEEVE WITHOUT PORTS	CS	3.625"	5.125"	3.753"	<b>1001SA</b>	\$57.26
			CROSSFLOW				3.815"	<b>1001SB</b>	\$57.26
							3.878"	<b>1001SC</b>	\$57.26
			FLANGED SLEEVE WITHOUT PORTS				3.753"	<b>1001FA</b>	\$73.91
			CROSSFLOW, 1.425" Flange Thickness				3.815"	<b>1001FB</b>	\$73.91
							3.878"	<b>1001FC</b>	\$73.91
175	1992-95	6	60 DEGREE FASTRIKE STRAIGHT SLEEVE WITH PORTS	RS	3.600"	5.075"	3.800"	<b>1065PSA</b>	\$107.35
			1.690" EXHAUST HEIGHT/ Port				3.820"	<b>1065PSB</b>	\$107.35
			60 DEGREE FASTRIKE STRAIGHT SLEEVE WITH PORTS				3.800"	<b>1065SSA</b>	\$107.35
			1.690" EXHAUST HEIGHT/ Starboard				3.820"	<b>1065SSB</b>	\$107.35
175	1997-99	6	60 DEGREE FICHT STRAIGHT SLEEVE WITH PORTS	RS	3.600"	5.075"	3.800"	<b>1110PSA</b>	\$119.62
			HAS EXTRA OILING 1.640" EXHAUST HEIGHT / Port				3.820"	<b>1110PSB</b>	\$119.62
			60 DEGREE FICHT STRAIGHT SLEEVE WITH PORTS				3.800"	<b>1110SSA</b>	\$119.62
			HAS EXTRA OILING 1.640" EXHAUST HEIGHT / Starboard				3.820"	<b>1110SSB</b>	\$119.62
175	2000	6	60 DEGREE FICHT STRAIGHT SLEEVE WITH PORTS	RS	3.600"	5.075"	3.800"	<b>1121PSA</b>	\$119.62
			HAS EXTRA OILING 1.620" EXHAUST HEIGHT / Port				3.820"	<b>1121PSB</b>	\$119.62
			60 DEGREE FICHT STRAIGHT SLEEVE WITH PORTS				3.800"	<b>1121SSA</b>	\$119.62
			HAS EXTRA OILING 1.620" EXHAUST HEIGHT / Starboard				3.820"	<b>1121SSB</b>	\$119.62
200	1985-87	6	STRAIGHT SLEEVE WITH PORTS	RS	3.500"	5.995"	3.875"	<b>1023SA</b>	\$107.35
			BRIDGED EXHAUST				3.885"	<b>1023SB</b>	\$107.35
			FLANGE SLEEVE WITH PORTS				3.875"	<b>1023FA</b>	\$113.49
			BRIDGED EXHAUST, .250" Flange Thickness				3.895"	<b>1023FB</b>	\$113.49

**CUSTOM SLEEVES made in ONE WEEK!**



1.866.753.3832

Visit [www.advancedsleeve.com](http://www.advancedsleeve.com)  
for New Product Updates and Downloads

# OUTBOARD MARINE Sleeves

## OMC (Johnson/Evinrude)

H.P.	Year	# Cyl	Description	Type	Bore	Length	OD	Part #	Price
200XP	1988-92	6	STRAIGHT SLEEVE WITH PORTS OVAL EXHAUST	RS	3.685"	5.225"	3.875" 3.895" 3.915"	<b>1025SA</b> <b>1025SB</b> <b>1025SC</b>	\$103.53 \$103.53 \$103.53
			FLANGED SLEEVE WITH PORTS OVAL EXHAUST, .375" Flange Thickness				3.875" 3.895" 3.915"	<b>1025FA</b> <b>1025FB</b> <b>1025FC</b>	\$130.16 \$130.16 \$130.16
200	1991-02	6	OCEAN PRO STRAIGHT SLEEVE WITH PORTS 4 FINGER PORTS	RS	3.685"	5.225"	3.875" 3.895" 3.915"	<b>1040SA</b> <b>1040SB</b> <b>1040SC</b>	\$103.53 \$103.53 \$103.53
			OCEAN PRO FLANGE SLEEVE WITH PORTS 4 FINGER PORTS, .250" Flange Thickness				3.895"	<b>1040FB</b>	\$120.32
			OCEAN PRO FLANGE SLEEVE WITH PORTS 4 FINGER PORTS, .200" Flange Thickness				3.895"	<b>1197FB</b>	\$120.32
200	1999-UP	6	3L FICHT WITH 4 FINGER PORTS	RS	3.685"	5.230"	3.975" 3.995"	<b>1113FA</b> <b>1113FB</b>	\$131.22 \$131.22
200	2001-UP	6	FLANGED SLEEVE, .150" Flange Thickness FICHT WITH 2 FINGER PORTS	RS	3.854"	5.460"	4.053" 4.073"	<b>1144FA</b> <b>1144FB</b>	\$124.05 \$124.05
225	1986-87	6	FLANGED SLEEVE, .125" Flange Thickness STRAIGHT SLEEVE WITH PORTS BRIDGED EXHAUST	RS	3.500"	5.995"	3.875" 3.885"	<b>1023SA</b> <b>1023SB</b>	\$107.35 \$107.35
225	1988-92	6	STRAIGHT SLEEVE WITH PORTS OVAL EXHAUST	RS	3.685"	5.225"	3.875" 3.895" 3.915"	<b>1025SA</b> <b>1025SB</b> <b>1025SC</b>	\$103.53 \$103.53 \$103.53
			FLANGED SLEEVE WITH PORTS OVAL EXHAUST, .125" Flange Thickness				3.875" 3.895" 3.915"	<b>1025FA</b> <b>1025FB</b> <b>1025FC</b>	\$130.16 \$130.16 \$130.16
225	1991-02	6	OCEAN PRO STRAIGHT SLEEVE WITH PORTS 4 FINGER PORTS	RS	3.685"	5.225"	3.875" 3.895" 3.905"	<b>1040SA</b> <b>1040SB</b> <b>1040SC</b>	\$103.53 \$103.53 \$103.53
			FLANGED SLEEVE, .375" Flange Thickness				3.895"	<b>1040FB</b>	\$120.32
			FLANGED SLEEVE, .200" Flange Thickness				3.895"	<b>1197FB</b>	\$120.32
225	1998-00	6	3.0L HO STRAIGHT SLEEVE WITH PORTS / Port	RS	3.685"	5.225"	3.875" 3.895"	<b>1112PSA</b> <b>1112PSB</b>	\$103.53 \$103.53
			3.0L HO STRAIGHT SLEEVE WITH PORTS / Starboard				3.875" 3.895"	<b>1112SSA</b> <b>1112SSB</b>	\$103.53 \$103.53
225	1999-UP	6	3L FICHT FLANGED SLEEVE 4 FINGER PORTS, .150" Flange Thickness	RS	3.685"	5.230"	3.975" 3.995"	<b>1113FA</b> <b>1113FB</b>	\$131.22 \$131.22
225	2001-03	6	3.3L FICHT HO FLANGED SLEEVE WITH PORTS, .125" Flange Thickness	RS	3.854"	5.460"	4.053" 4.075"	<b>1135FA</b> <b>1135FB</b>	\$131.22 \$164.02
235	1980-85	6	STRAIGHT SLEEVE WITHOUT PORTS CROSSFLOW	CS	3.625"	5.125"	3.753" 3.815" 3.878"	<b>1001SA</b> <b>1001SB</b> <b>1001SC</b>	\$57.26 \$57.26 \$57.26
			FLANGED SLEEVE WITHOUT PORTS CROSSFLOW, 1.425" Flange Thickness				3.753" 3.815" 3.878"	<b>1001FA</b> <b>1001FB</b> <b>1001FC</b>	\$73.91 \$73.91 \$73.91
250	1998-00	6	3.0L HO STRAIGHT SLEEVE WITH PORTS / Port	RS	3.685"	5.225"	3.875" 3.895"	<b>1112PSA</b> <b>1112PSB</b>	\$103.53 \$103.53
			3.0L HO STRAIGHT SLEEVE WITH PORTS / Starboard				3.875" 3.895"	<b>1112SSA</b> <b>1112SSB</b>	\$103.53 \$103.53
250	2001-03	6	3.3L FICHT HO FLANGED SLEEVE WITH PORTS, 1.425" Flange Thickness	RS	3.854"	5.460"	4.055" 4.075"	<b>1135FA</b> <b>1135FB</b>	\$131.22 \$164.02
275	1985-87	8	STRAIGHT SLEEVE WITH PORTS BRIDGED EXHAUST	RS	3.500"	5.595"	3.875" 3.895"	<b>1013SA</b> <b>1013SB</b>	\$107.35 \$107.35
			FLANGED SLEEVE WITH PORTS BRIDGED EXHAUST, .250" Flange Thickness				3.875"	<b>1013FA</b>	\$124.05
300	1985-87	8	STRAIGHT SLEEVE WITH PORTS BRIDGED EXHAUST	RS	3.500"	5.595"	3.875" 3.895"	<b>1068SA</b> <b>1068SB</b>	\$107.35 \$107.35
300	1988-93	8	OCEAN PRO STRAIGHT SLEEVE WITH 4 FINGER PORTS	RS	3.685"	5.225"	3.875" 3.895" 3.915"	<b>1040SA</b> <b>1040SB</b> <b>1040SC</b>	\$103.53 \$103.53 \$103.53
			FLANGED SLEEVE, .375" Flange Thickness				3.895"	<b>1040FB</b>	\$120.32
			FLANGED SLEEVE, .200" Flange Thickness				3.895"	<b>1197FB</b>	\$120.32
300	1988-95	8	STRAIGHT SLEEVE WITH PORTS BRIDGED EXHAUST	RS	3.685"	5.225"	3.875" 3.895" 3.915"	<b>1002SA</b> <b>1002SB</b> <b>1002SC</b>	\$103.53 \$103.53 \$103.53
			FLANGED SLEEVE WITH PORTS, .375" Flange Thickness				3.875" 3.895"	<b>1002FA</b> <b>1002FB</b>	\$130.16 \$130.16



1.866.753.3832

Visit [www.advancedsleeve.com](http://www.advancedsleeve.com)

for New Product Updates and Downloads

# OUTBOARD MARINE Sleeves

## Suzuki

H.P.	Year	# Cyl	Description	Type	Bore	Length	OD	Part #	Price
25	1988-00	3	STRAIGHT SLEEVE WITH PORTS DT-25	RS	2.440"	4.750"	3.644" 3.664"	<b>1122SA</b> <b>1122SB</b>	\$104.60 \$104.60
30	1988-95	3	STRAIGHT SLEEVE WITH PORTS DT-30	RS	2.440"	4.750"	3.644" 3.664"	<b>1122SA</b> <b>1122SB</b>	\$104.60 \$104.60
40	1982	2	FLANGED SLEEVE WITH PORTS .205" Flange Thickness	RS	3.000"	5.690"	3.275"	<b>1111FA</b>	\$86.69
55	1985-97	3	STRAIGHT SLEEVE WITH PORTS DT-55	RS	2.874"	5.440"	3.156"	<b>1084SA</b>	\$104.60
65	1985-97	3	STRAIGHT SLEEVE WITH PORTS DT-65	RS	2.874"	5.440"	3.156" 3.176"	<b>1084SA</b> <b>1084SB</b>	\$104.60 \$104.60
75	1980-97	3	STRAIGHT SLEEVE WITH PORTS DT-75	RS	3.307"	5.745"	3.672" 3.692"	<b>1085SA</b> <b>1085SB</b>	\$104.60 \$104.60
85	1980-00	3	STRAIGHT SLEEVE WITH PORTS DT-85	RS	3.307"	5.745"	3.672" 3.692"	<b>1085SA</b> <b>1085SB</b>	\$104.60 \$104.60
115	1981-85	4	STRAIGHT SLEEVE WITH PORTS DT-115 CARBURETED	RS	3.307"	6.520"	3.672"	<b>1145SA</b>	\$104.60
140	1981-91	4	STRAIGHT SLEEVE WITH PORTS DT-115, EFI	RS	3.307"	6.275"	3.672"	<b>1091SA</b>	\$104.60
150	1981-00	6	FLANGED SLEEVE WITH PORTS EFI, .240" Flange Thickness	RSN	3.307"	6.520"	3.590"	<b>1130FA</b>	\$89.47
150	1989-91	6	FLANGED SLEEVE WITH PORTS DT-150, SUPER SIX	RSN	3.307"	6.525"	3.739" 3.759"	<b>1096FA</b> <b>1096FB</b>	\$107.35 \$107.35
			FLANGED SLEEVE WITH PORTS, .225" Flange Thickness				3.779"	<b>1096FC</b>	\$107.35
150	1993-00	6	FLANGED SLEEVE WITH PORTS DT-150, EFI .225" Flange Thickness	RSN	3.307"	6.525"	3.739" 3.759" 3.779"	<b>1096FA</b> <b>1096FB</b> <b>1096FC</b>	\$107.35 \$107.35 \$107.35
175	1981-93	6	FLANGED SLEEVE WITH PORTS DT-175 .235" Flange Thickness	RS	3.307"	6.525"	3.590"	<b>1108FA</b>	\$104.60
225	1993-03	6	FLANGED SLEEVE WITH PORTS OPEN BOTTOM TRANSFER PORTS .240" Flange Thickness	RS	3.307"	6.525"	3.742"	<b>1169FA</b>	\$107.35
225	1993-03	6	FLANGED SLEEVE WITH PORTS CLOSED BOTTOM TRANSFER PORTS .240" Flange Thickness	RS	3.307"	6.525"	3.742"	<b>1170FA</b>	\$107.35

## Tohatsu

H.P.	Year	# Cyl	Description	Type	Bore	Length	OD	Part #	Price
18	1998	2	STRAIGHT SLEEVE WITH PORTS	RS	2.626"	4.355"	2.960"	<b>1171SA</b> <b>1171SB</b>	\$101.24 \$101.24
25	ALL	2	STRAIGHT SLEEVE WITH PORTS M25C2	RS	2.677"	4.880"	2.960" 2.980"	<b>1060SA</b> <b>1060SB</b>	\$101.24 \$101.24
30	1990-00	2	STRAIGHT SLEEVE WITH PORTS M30A3	RS	2.677"	N/A	2.960" 2.980"	<b>1059SA</b> <b>1059SB</b>	\$101.24 \$101.24
40	1985-95	2	STRAIGHT SLEEVE WITH PORTS M40C	RS	2.755"	5.160"	3.017" 3.037"	<b>1058SA</b> <b>1058SB</b>	\$101.24 \$101.24
40	1994-04	3	STRAIGHT SLEEVE WITH PORTS M40D	RS	2.677"	5.105"	2.940" 2.960"	<b>1057SA</b> <b>1057SB</b>	\$101.24 \$101.24
50	1986-91	2	STRAIGHT SLEEVE WITH PORTS	RS	3.189"	5.905"	3.535" 3.555"	<b>1133SA</b> <b>1133SB</b>	\$101.24 \$101.24
50	1992-04	3	STRAIGHT SLEEVE WITH PORTS M50D	RS	2.677"	5.105"	2.940" 2.960"	<b>1057SA</b> <b>1057SB</b>	\$101.24 \$101.24
55	1986-91	2	STRAIGHT SLEEVE WITH PORTS	RS	3.189"	5.905"	3.535" 3.555"	<b>1133SA</b> <b>1133SB</b>	\$101.24 \$101.24
60	1991-95	3	STRAIGHT SLEEVE WITH PORTS M60B	RS	2.914"	N/A	3.195"	<b>1056SA</b>	\$101.24
70	1986-90	2	STRAIGHT SLEEVE WITH PORTS	RS	3.385"	5.910"	3.747" 3.767"	<b>1083SA</b> <b>1083SB</b>	\$101.24 \$101.24
70	1994-04	3	STRAIGHT SLEEVE WITH PORTS M70B	RS	2.914"	N/A	3.195"	<b>1056SA</b>	\$101.24
90	1993-04	3	STRAIGHT SLEEVE WITH PORTS M90B	RS	3.385"	5.900"	3.745" 3.765"	<b>1046SA</b> <b>1046SB</b>	\$101.24 \$101.24
115	1995-04	4	STRAIGHT SLEEVE WITH PORTS M115A	RS	3.464"	5.905"	3.783" 3.803"	<b>1055SA</b> <b>1055SB</b>	\$101.24 \$101.24
120	1993-04	4	STRAIGHT SLEEVE WITH PORTS M120A	RS	3.464"	5.905"	3.783" 3.803"	<b>1055SA</b> <b>1055SB</b>	\$101.24 \$101.24
140	1993-04	4	STRAIGHT SLEEVE WITH PORTS M140A	RS	3.464"	5.905"	3.783" 3.803"	<b>1055SA</b> <b>1055SB</b>	\$101.24 \$101.24



1.866.753.3832

Visit [www.advancedsleeve.com](http://www.advancedsleeve.com)  
for New Product Updates and Downloads

# OUTBOARD MARINE Sleeves

## Yamaha

H.P.	Year	# Cyl	Description	Type	Bore	Length	OD	Part #	Price
25	1980-84	2	STRAIGHT SLEEVE WITH PORTS	RS	2.834"	4.925"	3.076"	<b>1103SA</b>	\$103.53
							3.096"	<b>1103SB</b>	\$103.53
25	1993	2	STRAIGHT SLEEVE WITH PORTS C-25	RS	2.885"	4.940"	3.076"	<b>1165SA</b>	\$101.53
							3.096"	<b>1165SB</b>	\$101.53
25	1986-00	3	STRAIGHT SLEEVE WITH PORTS	RS	2.342"	4.740"	2.543"	<b>1140SA</b>	\$104.60
30	1986-00								
40	1979-94	2	STRAIGHT SLEEVE WITH PORTS	RS	2.953"	5.325"	3.160"	<b>1076SA</b>	\$104.60
40	1983-04	3	STRAIGHT SLEEVE WITH PORTS	RS	2.637"	5.255"	2.836"	<b>1033SA</b>	\$101.24
							2.858"	<b>1033SB</b>	\$101.24
50	1983-04	3	STRAIGHT SLEEVE WITH PORTS	RS	2.637"	5.255"	2.836"	<b>1033SA</b>	\$101.24
							2.858"	<b>1033SB</b>	\$101.24
60	1992-04	3	STRAIGHT SLEEVE WITH PORTS	RS	2.834"	5.555"	3.074"	<b>1034SA</b>	\$101.24
							3.094"	<b>1034SB</b>	\$101.24
70	1983-04	3	STRAIGHT SLEEVE WITH PORTS	RS	2.834"	5.555"	3.074"	<b>1034SA</b>	\$101.24
							3.094"	<b>1034SB</b>	\$101.24
75	1994-00	3	STRAIGHT SLEEVE WITH PORTS	RS	3.228"	5.565"	3.434"	<b>1035SA</b>	\$101.24
85	1994-96						3.450"	<b>1035SB</b>	\$101.24
90	1983-04								
115	1983-88	4	STRAIGHT SLEEVE WITH PORTS	RS	3.544"	5.175"	3.748"	<b>1038SA</b>	\$103.53
							3.788"	<b>1038SB</b>	\$103.53
115	1989-04	4	STRAIGHT SLEEVE WITH PORTS	RS	3.544"	5.180"	3.748"	<b>1086SA</b>	\$104.60
130	1983-88	4	STRAIGHT SLEEVE WITH PORTS	RS	3.544"	5.175"	3.748"	<b>1038SA</b>	\$103.53
							3.768"	<b>1038SB</b>	\$103.53
130	1989-00	4	STRAIGHT SLEEVE WITH PORTS	RS	3.544"	5.175"	3.748"	<b>1036SA</b>	\$103.53
							3.768"	<b>1036SB</b>	\$103.53
150	1988-97	6	STRAIGHT SLEEVE WITH PORTS PRO V EXHAUST HAS COMPRESSION NOTCH	RS	3.544"	5.180"	3.748"	<b>1079SA</b>	\$103.53
							3.768"	<b>1079SB</b>	\$103.53
			<b>•EXHAUST DIMENSIONS :</b>						
			TOP TO DECK 1.690", WIDTH 2.205"						
150	1993-04	6	STRAIGHT SLEEVE WITH PORTS 6R3 EXHAUST HAS COMPRESSION NOTCH	RS	3.544"	5.175"	3.787"	<b>1106SA</b>	\$103.53
							3.807"	<b>1106SB</b>	\$103.53
			<b>•EXHAUST DIMENSIONS :</b>						
			TOP TO DECK 1.795", WIDTH 2.105"						
150	1983-88	6	STRAIGHT SLEEVE WITH PORTS	RS	3.544"	5.163"	3.748"	<b>1074SA</b>	\$103.53
175	1983-87		NO COMPRESSION NOTCH				3.768"	<b>1074SB</b>	\$103.53
			<b>•EXHAUST DIMENSIONS :</b>						
			TOP TO DECK 1.665", WIDTH 2.360"						
150	2001	6	STRAIGHT SLEEVE WITH PORTS EFI "F"	RS	3.544"		3.787"	<b>1199SA</b>	\$103.53
							3.807"	<b>1199SB</b>	\$103.53
150	1998-04	6	V-MAX 150 HPDI, 150 HPDI STRAIGHT SLEEVE WITH PORTS EXHAUST HAS COMPRESSION NOTCH	RS	3.544"	5.175"	3.787"	<b>1174SA</b>	\$103.53
							3.807"	<b>1174SB</b>	\$103.53
			<b>•EXHAUST DIMENSIONS :</b>						
			TOP TO DECK 1.820", WIDTH 2.200"						
175	1990-98	6	STRAIGHT SLEEVE WITH PORTS NO COMPRESSION NOTCH	RS	3.544"	5.175"	3.787"	<b>1037SA</b>	\$103.53
							3.807"	<b>1037SB</b>	\$103.53
			<b>•EXHAUST DIMENSIONS :</b>						
			TOP TO DECK 1.710", WIDTH 2.170"						
200	1983-87	6	STRAIGHT SLEEVE WITH PORTS NO COMPRESSION NOTCH	RS	3.544"	5.163"	3.748"	<b>1074SA</b>	\$103.53
							3.768"	<b>1074SB</b>	\$103.53
			<b>•EXHAUST DIMENSIONS :</b>						
			TOP TO DECK 1.665", WIDTH 2.360"						
200	1990-04	6	STRAIGHT SLEEVE WITH PORTS NO COMPRESSION NOTCH	RS	3.544"	5.175"	3.787"	<b>1037SA</b>	\$103.53
							3.807"	<b>1037SB</b>	\$103.53
			<b>•EXHAUST DIMENSIONS :</b>						
			TOP TO DECK 1.710", WIDTH 2.170"						
200	1993-97	6	PRO V STRAIGHT SLEEVE WITH PORTS EXHAUST HAS COMPRESSION NOTCH	RS	3.544"	5.175"	3.787"	<b>1090SA</b>	\$103.53
							3.807"	<b>1090SB</b>	\$103.53
			<b>•EXHAUST DIMENSIONS :</b>						
			TOP TO DECK 1.705", WIDTH 2.365"						
200	1993-00	6	SALTWATER HPDI STRAIGHT SLEEVE WITH PORTS EXHAUST HAS COMPRESSION NOTCH	RS	3.544"	5.175"	3.787"	<b>1090SA</b>	\$103.53
							3.807"	<b>1090SB</b>	\$103.53
			<b>•EXHAUST DIMENSIONS :</b>						
			TOP TO DECK 1.705", WIDTH 2.365"						
200	1998-04	6	V MAX STRAIGHT SLEEVE WITH PORTS EXHAUST HAS COMPRESSION NOTCH	RS	3.544"	5.175"	3.787"	<b>1093SA</b>	\$103.53
							3.807"	<b>1093SB</b>	\$103.53
			<b>•EXHAUST DIMENSIONS :</b>						
			TOP TO DECK 1.760", WIDTH 2.285"						
200	2001	6	SX200, TXZR STRAIGHT SLEEVE WITH PORTS EXHAUST HAS COMPRESSION NOTCH	RS	3.544"	5.175"	3.787"	<b>1155SA</b>	\$103.53
							3.807"	<b>1155SB</b>	\$103.53
			<b>•EXHAUST DIMENSIONS :</b>						
			TOP TO DECK 1.755", WIDTH 2.285"						



1.866.753.3832

Visit [www.advancedsleeve.com](http://www.advancedsleeve.com)

for New Product Updates and Downloads

## OUTBOARD MARINE Sleeves

### Yamaha

H.P.	Year	# Cyl	Description	Type	Bore	Length	OD	Part #	Price
225	1985-88	6	STRAIGHT SLEEVE WITH PORTS	RS	3.544"	5.163"	3.748"	<b>1172SA</b>	\$103.53
225	1994-95	6	3.1L V76X STRAIGHT SLEEVE WITH PORTS	RS	3.544"	6.350"	3.903"	<b>1104SA</b>	\$115.76
			•EXHAUST DIMENSIONS :				3.923"	<b>1104SB</b>	\$115.76
			TOP TO DECK 1.930", WIDTH 2.305"				3.943"	<b>1104SC</b>	\$115.76
225	1996-98	6	STRAIGHT SLEEVE WITH PORTS	RS	3.544"	6.350"	3.903"	<b>1102SA</b>	\$115.76
			EXHAUST HAS COMPRESSION NOTCH				3.923"	<b>1102SB</b>	\$115.76
			•EXHAUST DIMENSIONS :						
			TOP TO DECK 2.085", WIDTH 2.140"						
250	1992-98	6	3.1L V76X STRAIGHT SLEEVE WITH PORTS	RS	3.544"	6.350"	3.903"	<b>1104SA</b>	\$115.76
			•EXHAUST DIMENSIONS :				3.923"	<b>1104SB</b>	\$115.76
			TOP TO DECK 1.930", WIDTH 2.305"						
250	1992	6	STRAIGHT SLEEVE WITH PORTS	RS	3.544"	6.350"	3.903"	<b>1105SA</b>	\$115.76
			•EXHAUST DIMENSIONS :				3.923"	<b>1105SB</b>	\$115.76
			TOP TO DECK 1.910", WIDTH 2.275"						
250	1993	6	STRAIGHT SLEEVE WITH PORTS	RS	3.544"	6.350"	3.903"	<b>1080SA</b>	\$115.76
			NO COMPRESSION NOTCH				3.923"	<b>1080SB</b>	\$115.76
			•EXHAUST DIMENSIONS :						
			TOP TO DECK 1.900", WIDTH 2.280"						
250	1996-98	6	STRAIGHT SLEEVE WITH PORTS	RS	3.544"	6.350"	3.903"	<b>1102SA</b>	\$115.76
			EFI				3.923"	<b>1102SB</b>	\$115.76
			EXHAUST HAS COMPRESSION NOTCH						
			•EXHAUST DIMENSIONS :						
			TOP TO DECK 2.085", WIDTH 2.140"						
250	1999-00	6	V76X EFI AND CARB.	RS	3.544"	6.350"	3.903"	<b>1107SA</b>	\$115.76
			STRAIGHT SLEEVE WITH PORTS				3.923"	<b>1107SB</b>	\$115.76
			EXHAUST HAS COMPRESSION NOTCH				3.943"	<b>1107SC</b>	\$115.76
			•EXHAUST DIMENSIONS :						
			TOP TO DECK 1.994", WIDTH 2.320"						
250	2003	6	VX250 TLRB	RS	3.544"	6.350"	3.903"	<b>1195SA</b>	\$115.76
			EXHAUST HAS COMPRESSION NOTCH				3.923"	<b>1195SB</b>	\$115.76
			•EXHAUST DIMENSIONS :						
			TOP TO DECK 1.960", WIDTH 2.300"						
250	2002-06	6	3.3L HPDI STRAIGHT SLEEVE WITH PORTS	RS	3.661"	6.35	3.981"	<b>1184SA</b>	\$115.76
							4.001"	<b>1184SB</b>	\$115.76
300	2002-06	6	3.3L HPDI STRAIGHT SLEEVE WITH PORTS	RS	3.661"	6.350"	3.981"	<b>1192SA</b>	\$115.76
							4.001"	<b>1192SB</b>	\$115.76

### Yamaha 4-Stroke

H.P.	Year	# Cyl	Description	Type	Bore	Length	OD	Part #	Price
100			STRAIGHT 4 STROKE SLEEVE		3.118"	5.195"	3.270"	<b>1185SA</b>	\$68.60
							3.290"	<b>1185SB</b>	\$68.60
							3.310"	<b>1185SC</b>	\$68.60
200	2002		STRAIGHT 4 STROKE SLEEVE		3.701"	4.950"	4.380"	<b>1173SA</b>	\$86.86
							4.400"	<b>1173SB</b>	\$86.86
225	2002		STRAIGHT 4 STROKE SLEEVE		3.701"	4.950"	4.380"	<b>1173SA</b>	\$86.86
							4.400"	<b>1173SB</b>	\$86.86



1.866.753.3832

Visit [www.advancedsleeve.com](http://www.advancedsleeve.com)  
for New Product Updates and Downloads

## POWERSPORTS Sleeves

### ARCTIC CAT atv

Model	Cyl. Type	Year	Bore mm/in	Part #	Sleeve O.D.	Price
50 2x4 49cc	IC	04	41-43	<b>3423FA</b>	1.855"	\$85.72
300 4x4 & 2x4	CS	98-04	67-72	<b>3451FA</b>	3.012"	\$84.46
375 4x4 & 2x4	CS	02	82-85.5	<b>3469FA</b>	3.535"	\$84.46
DVX400	PA	06-08	90-94.5	<b>3287FA</b>	3.880"	\$84.65
DVX400 Big Bore to 440cc	PA	06-08	94-96	<b>3481FA</b>	3.940"	\$101.54
400 4x4 & 2x4	CS	03-07	82-85.5	<b>3469FA</b>	3.535"	\$84.46

### HARLEY-DAVIDSON

Model	Cyl. Type	Year	Bore mm/in	Part #	Sleeve O.D.	Price
XR750 (Aluminum Sleeve must be plated)	RS	All	3.162"-3.270"	<b>3396FA</b>	3.445"	\$171.71
883 Inner Sleeve for 3443FA	CS	All	3.000"	<b>3455FA</b>	3.170"	\$55.67
883 Outer Sleeve for 3455FA	CS	All	3.000"-3.500"	<b>3443FA</b>	3.800"	\$171.71
1200 Sportster	CS	88-09	3.498"-3.640"	<b>3075FA</b>	3.800"	\$94.49
V ROD Big Bore (Cases must be bored to accept overbore sleeve)	WS	01-07	4.250"	<b>3392FA</b>	2.835"	\$261.97
1340 Big Twin Evo	CS	84-99	3.498"-3.790"	<b>3245FA</b>	3.950"	\$94.49
1340 Big Twin Evo Big Bore Sleeve for 3.625" to 3.740" Bore, (Extensive machining required)	CS	84-99	3.625"-3.740"	<b>3035FA</b>	3.950"	\$106.62
Twin Cam 88"	CS	99-09	3.750-3.905"	<b>3484FA</b>	4.055"	\$111.71
Twin Cam 88" Aluminum Big Bore Sleeve (Cases must be bored to accept overbore sleeve)	CS	99-09	3.750-4.00"	<b>3461FA</b>	4.275"	\$111.71
Twin Cam 88" Big Bore Sleeve for 4.000" to 4.075" Bore, (Extensive machining required)	CS	99-09	4.000"-4.075"	<b>3209FA</b>	4.275"	\$111.71
Twin Cam 88" Big Bore Sleeve (Cases must be bored to accept overbore sleeve)	CS	99-09	4-4.140"	<b>3483FA</b>	4.300"	\$111.71

### HONDA mx/dirt/off-road

Model	Cyl. Type	Year	Bore mm/in	Part #	Sleeve O.D.	Price
CR60	PA	83	41-43	<b>3218FA</b>	1.855"	\$105.36
CR80R	PA	80-82	49.5-57	<b>3453FA</b>	2.420"	\$98.83
CR80,ATAC	PA	84	49.5-54	<b>3300FA</b>	2.300"	\$98.83
CR80	PA	85	47-48	<b>3201FA</b>	2.050"	\$98.83
CR80	PA	86	47-48	<b>3119FA</b>	2.050"	\$98.83
CR80	PA	87	47-48	<b>3127FA</b>	2.050"	\$98.83
CR80	PA	88-02	47-48	<b>3101FA</b>	2.090"	\$83.02
CR80 Big Bore	PA	86-02	52-52.5	<b>3474FA</b>	2.230"	\$88.50
CR85R	PA	02-08	47.5-49	<b>3472FA</b>	2.490"	\$83.02
CR85R Big Bore	PA	02-08	49.5-50.5	<b>3475FA</b>	2.090"	\$92.48
CR85R Big Bore	PA	03-08	52-52.5	<b>3476FA</b>	2.230"	\$92.48
CR125R Thick Sleeve	CS	81-82	55.5-63	<b>3114FA</b>	2.650"	\$105.36
CR125 Thick Sleeve	CS	85-86	54-59	<b>3118FA</b>	2.650"	\$105.36
CR125 Thick Sleeve	CS	87-88	54-60	<b>3128FA</b>	2.520"	\$105.36
CR125R	PA	89	54-55	<b>3131FA</b>	2.330"	\$105.36
CR125R	PA	90-91	54-55	<b>3033FA</b>	2.330"	\$88.50
CR125R	PA	92	54-56	<b>3334FA</b>	2.365"	\$88.50
CR125R	PA	93-95	54-56	<b>3034FA</b>	2.365"	\$88.50
CR125R	PA	96-99	54-56	<b>3259FA</b>	2.365"	\$88.50
CR125R (99)	PA	00	54-55	<b>3325FA</b>	2.365"	\$88.50
CR125R (00)	PA	01	54-56	<b>3377FA</b>	2.365"	\$88.50
CR125R (01)	PA	02	54-56	<b>3418FA</b>	2.365"	\$88.50
CR125R	PA	03	54-56	<b>3433FA</b>	2.365"	\$88.50
CR125R	PA	04	54-56	<b>3494FA</b>	2.365"	\$88.50
CR125R	PA	05-07	54-56	<b>3495FA</b>		\$88.50
CR125 to 139cc	PA	05-07	57	<b>3531FA</b>		\$115.04
CR250R	CS	78-80	70-72	<b>3113FA</b>	3.015"	\$136.96
CR250R	CS	81-83	66	<b>3193FA</b>	2.750"	\$136.96
CR250R ATAC Thick Sleeve	CS	84	66-76	<b>3385FA</b>	3.165"	\$136.96
CR250R	PA	86	66.4-68.5	<b>3057FA</b>	2.865"	\$136.96
CR250R	PA	87	66.4-68.5	<b>3129FA</b>	2.865"	\$136.96
CR250R	PA	88	66.4-68.4	<b>3130FA</b>	2.865"	\$136.96
CR250R	PA	89	66.4-68.5	<b>3132FA</b>	2.865"	\$136.96
CR250R	PA	90-91	66.4-68.5	<b>3133FA</b>	2.865"	\$115.04
CR250R	PA	92	66.4-68.5	<b>3318FA</b>	2.865"	\$115.04



1.866.753.3832

Visit [www.advancedsleeve.com](http://www.advancedsleeve.com)

for New Product Updates and Downloads

## POWERSPORTS Sleeves

### HONDA mx/dirt/off-road

Model	Cyl. Type	Year	Bore mm/in	Part #	Sleeve O.D.	Price
CR250R	PA	93	66.4-68.5	3134FA	2.865"	\$115.04
CR250R (KZ3L)	PA	94	66.4-68.5	3335FA	2.870"	\$115.04
CR250R (KZ3M)	PA	95-96	66.4-68.5	3103FA	2.865"	\$115.04
CR250R (KZ3P)	PA	97-98	66.4-68.5	3220FA	2.865"	\$115.04
CR250R (KZ3S, KZ3T)	PA	99-00	66.4-68.5	3280FA	2.865"	\$115.04
CR250R (KZ3V)	PA	01	66.4-68.5	3330FA	2.865"	\$115.04
CR250R (KZ3W, KZ3X, KSK)	PA	02-04	66.4-68.5	3361FA	2.865"	\$115.04
CR250R	PA	05-07	66.4-68.5	3497FA	2.865"	\$115.04
CR500R	CS	85-86	89-94	3283FA	3.875"	\$136.96
CR500R	CS	87-88	89-94	3278FA	3.875"	\$136.96
CR500R	CS	89-02	89-89.5	3358FA	3.8.75"	\$115.04
Z50R	IC	82-99	39-41	3447FA	1.775"	\$92.71
XR50R		00-03				
CRF50F		04-10				
XL80	CS	82-85	47.5-50	3374FA	2.135"	\$73.89
XR80R		79-03				
CRF80F		04-10				
XR100	CS	92-03	53-55	3426FA	2.325"	\$73.89
CRF100F		04-10				
XR100	CS	92-03	58	3078FA	2.455"	\$73.89
CRF100F		04-10				
Big Bore to 119cc						
CRF150R	PA	07-10	66-68	3524FA	2.840"	\$82.17
CRF150R	PA	07-10	69-70	3543FA	2.920"	\$82.17
XR200R	CS	86-02	65.5-67	3115FA	2.800"	\$67.17
CRF230	CS	All	68	3579FA	2.874"	\$95.55
XR250R	RS	86-04	73-77	3120FA	3.192"	\$78.17
XR250L	RS	91-96				
CRF250R, CRF250X	PA	04-10	78-80	3523FA	3.325"	\$82.17
XR400	RS	96-04	85-87	3236FA	3.589"	\$80.63
XR400 Big Bore to 440cc	RS	96-04	89-90.5	3052FA	3.729"	\$73.30
CRF450R	PA	02-08	96-97	3357FA	3.982"	\$74.62
CRF450R Big Bore	PA	02-08	98-99.5	3467FA	4.080"	\$101.54
XL/XR500	RS	78-82	89-94	3112FA	3.860"	\$100.77
XL/XR500 Big Bore	RS	78-82	95	3226FA	3.940"	\$100.77
XR500 Big Bore Aluminum Sleeve	RS	All	94-96	3480FA	3.940"	\$162.33
XR600	RS	91-00	97-99	3102FA	4.061"	\$94.49
XR600 Big Bore to 100mm	RS	88-90	100-102	3004FA	4.208"	\$88.67
XR650L	RS	93-09	100-103	3359FA	4.221"	\$88.67
XR650R	RS	00-07	100	3273FA	4.100"	\$88.67
XR650R Big Bore to 102mm	RS	00-07	102-102.5	3274FA	4.193"	\$88.67

### HONDA atv

Model	Cyl. Type	Year	Bore mm/in	Part #	Sleeve O.D.	Price
ATC250R 3-Wheeler	CS	81-84	70	3317FA	2.900"	\$136.96
ATC250R Four Trax, 1 Intake	CS	85-86	66	3117FA	2.750"	\$136.96
ATC250R Thick Sleeve, 1 Intake	CS	85-86	66-72	3223FA	3.165"	\$159.23
ATC250R Aluminum Thick Sleeve, 1 Intake	CS	85-86	68-72	3240FA	3.165"	\$237.56
TRX 250R Four Trax, 3 intakes	CS	87-89	66	3221FA	2.750"	\$136.96
TRX 250R Four Trax Thick Sleeve, 3 Intakes	CS	87-89	66-76	3206FA	3.165"	\$159.23
TRX250R Aluminum Thick Sleeve, 3 Intakes	CS	87-89	68-72	3239FA	3.165"	\$190.05
350 Odyssey	CS	85-86	80-81	3238FA	3.390"	\$139.60
ATC200X	CS	86-87	65-66	3257FA	2.760"	\$83.96
TRXSX		86-88				
Fat Cat 200		86-87				
4-TRAX 250X	RS	87-92	74-77	3062FA	3.194"	\$82.17
TRX 250EX Sport Trax	CS	01-08	68.5-70	3508FA	2.910"	\$82.17
TRX300 2 Valve	RS	88-00	74-77	3373FA	3.194"	\$82.17
TRX300EX 4 Valve		92-09				
TRX300EX 4 Valve	RS	92-09	80	3537FA	3.310"	\$88.83
4-TRAX 350X	RS	85-89	81-84	3082FA	3.468"	\$88.83
ATC350X		85-86				



1.866.753.3832

Visit [www.advancedsleeve.com](http://www.advancedsleeve.com)  
for New Product Updates and Downloads

## POWERSPORTS Sleeves

### HONDA atv

Model	Cyl. Type	Year	Bore mm/in	Part #	Sleeve O.D.	Price
TRX350 Rancher TM, TS	RS	00-07	78.5-81.5	3360FA	3.375"	\$78.17
TRX400EX	RS	99-08	85-87	3236FA	3.589"	\$80.63
TRX400EX Big Bore for 89mm piston 440cc	RS	99-09	89-90.5	3052FA	3.729"	\$73.30
TRX400EX Aluminum Stock Conversion Sleeve	RS	99-09	85-86.5	3301FA	3.589"	\$171.71
TRX400EX Big Bore Aluminum Sleeve for 89mm piston 440cc	RS	99-09	89-90.5	3055FA	3.729"	\$171.71
TRX400 4x4 Foreman	RS	95-04	86-90	3187FA	3.705"	\$78.17
400 Rancher AT	CS	04-07	85-88.5	3457FA	3.646"	\$73.89
450 Foreman ES, S	RS	98-04	90-93	3409FA	3.821"	\$84.46
TRX450R	PA	04-05	94-97	3466FA	3.985"	\$89.79
TRX450R	PA	04-05	98-100	3530FA	4.080"	\$109.56
TRX450	PA	06-09	98-100	3542FA	4.120"	\$101.54
Four Trax Foreman 500 Air Cooled	RS	05-08	92-95	3535FA	3.944"	\$84.46
Four Trax Foreman 500, 500 Rubicon Liquid Cooled	CS	02-08	92	3355FA	3.775"	\$84.46
Four Trax 650 Rincon	CS	03-05	100	3414FA	4.100"	\$84.46

### HONDA street

Model	Cyl. Type	Year	Bore mm/in	Part #	Sleeve O.D.	Price
CBR600, F2&F3	RS	90-98,04	65-68	3037FA	2.850"	\$83.96
Hawk 650NT Twin	CS	All	80-81.5	3411FA	3.380"	\$83.96
CBR900F		79-82		3569FA	2.818"	\$80.04
CB900 Big Bore Sleeve to 988 - 1032cc	RS	79-83	67.5-69.5	3081FA	2.913"	\$83.96
CBR900RR	CS	92-95	70-74	3011SA	3.100"	\$83.96
CBR900RR Big Bore Sleeve for 72mm	CS	92-95	72-73	3005FA	3.050"	\$83.96
VTX1800 Big Bore	CS	02-08	103.5-106	3380FA	4.350"	\$88.67

### KASEA atv

Model	Cyl. Type	Year	Bore mm/in	Part #	Sleeve O.D.	Price
Kasea 50cc (3YJ)	IC	All	40-41	3464FA	1.785"	\$92.48
Kasea Big Bore Air Sal Cylinder	PA	All	47-48	3465FA	2.055"	\$85.72

### KAWASAKI mx/dirt/off-road

Model	Cyl. Type	Year	Bore mm/in	Part #	Sleeve O.D.	Price
KDX50	PA	03-06	41-43	3423FA	1.855"	\$85.72
KX60	PA	83-03	43-44.5	3142FA	1.925"	\$76.96
KX65	PA	02-09	44.5-46.5	3402FA	1.990"	\$85.72
KDX80	PA	80-82	48-50.5	3135FA	2.150"	\$98.83
KDX80	PA	83-88	48-50.5	3255FA	2.150"	\$98.83
KX80	PA	78-79	48-50.5	3135FA	2.150"	\$98.83
KX80	PA	80-82	48-50.5	3040FA	2.150"	\$98.83
KX80	PA	84	48-50	3140FA	2.150"	\$98.83
KX80	PA	85	48-49	3368FA	2.090"	\$83.02
KX80	PA	86-87	48-50	3042FA	2.150"	\$98.83
KX80 (#1,N1)	PA	88-90	48-50	3046FA	2.145"	\$83.02
KX80	PA	91-94	48	3049FA	2.050"	\$83.02
KX80	PA	95-97	48-50	3326FA	2.145"	\$83.02
KX80	PA	98-00	48-50.5	3267FA	2.150"	\$83.02
KX85	PA	01-09	48.5-50.5	3296FA	2.150"	\$83.02
KE100	PA	74-79	49.5-53	3137FA	2.260"	\$98.83
KE100	PA	86-95	49.5-53	3538FA	2.260"	\$86.98
KX100	PA	95-97	52.5-54	3171FA	2.286"	\$83.02
KX100	PA	98-05	52.5	3545FA	2.310"	\$83.02
KX100	PA	06-09	52.5-54.5	3248FA	2.310"	\$83.02
KX125	PA	83-84	56-56.5	3138FA	2.385"	\$105.36
KX125 (KIPS,1476)	PA	85-86	56-57	3041FA	2.405"	\$105.36
KX125 (KIPS,1508)	PA	87	56-56.5	3157FA	2.385"	\$105.36
KX125 (KIPS,1539)	PA	88	56-56.5	3159FA	2.385"	\$105.36
KX125 (1565)	PA	89	56-56.5	3162FA	2.400"	\$105.36
KX125 (1602,1645)	PA	90-91	56-57	3048FA	2.400"	\$88.50
KX125 (1672)	PA	92	54-55	3167FA	2.330"	\$88.50
KX125 (1687)	PA	93	54-55	3168FA	2.330"	\$88.50
KX125 (1720)	PA	94	54-56	3170FA	2.370"	\$88.50



1.866.753.3832

Visit [www.advancedsleeve.com](http://www.advancedsleeve.com)

for New Product Updates and Downloads

## POWERSPORTS Sleeves

### KAWASAKI mx/dirt/off-road

Model	Cyl. Type	Year	Bore mm/in	Part #	Sleeve O.D.	Price
KX125 (1752)	PA	95	54-55	3336FA	2.330"	\$88.50
KX125 (1794,1840)	PA	96-97	54-56	3331FA	2.365"	\$88.50
KX125 (1852,1881)	PA	98-99	54-56	3337FA	2.365"	\$88.50
KX125 (1921)	PA	00	54-56	3264FA	2.365"	\$88.50
KX125 (1939)	PA	01	54-56	3356FA	2.365"	\$88.50
KX125 (1960)	PA	02	54-56	3390FA	2.365"	\$88.50
KX125 (1978)	PA	03	54-56	3431FA	2.365"	\$88.50
KX125 (0013)	PA	04-08	54-56	3468FA	2.365"	\$88.50
KX125 to 144cc	PA	04-08	58	3528FA		\$91.54
KLX125 Fits STD. Bore to +4mm, 143cc	PA	02-06	57-61	3435FA	2.565"	\$91.54
KDX175	PA	82-83	66-68	3194FA	2.850"	\$105.36
KDX200	PA	86-88	66-67	3225FA	2.800"	\$105.36
KDX200	PA	89-94	66-68	3047FA	2.840"	\$84.28
KDX200	PA	95-04	66-67	3097FA	2.800"	\$88.50
KDX250	PA	91-94	67.4-69.5	3071FA	2.900"	\$115.04
KX250	PA	85	70-72	3141FA	3.000"	\$136.96
KX250	PA	86	70-72	3067FA	3.000"	\$136.96
KX250	PA	87	67.4-69.5	3158FA	2.900"	\$136.96
KX250	PA	88	67.4-69.5	3160FA	2.900"	\$136.96
KX250	PA	89	67.4-69.5	3163FA	2.900"	\$115.04
KX250	PA	90	67.4-69.5	3164FA	2.900"	\$136.96
KX250 (1643)	PA	91	67.4-69.5	3165FA	2.900"	\$115.04
KX250 (1671)	PA	92	66.4-68.5	3166FA	2.865"	\$115.04
KX250 (1686)	PA	93	66.4-68.5	3169FA	2.865"	\$115.04
KX250 (1722)	PA	94	66.4-68.5	3322FA	2.865"	\$115.04
KX250 (1751)	PA	95	66.4-68.5	3222FA	2.865"	\$115.04
KX250 (1793)	PA	96	66.4-68.5	3292FA	2.865"	\$115.04
KX250 (1835)	PA	97	66.4-68.5	3338FA	2.865"	\$115.04
KX250 (1851)	PA	98-99	66.4-68.5	3289FA	2.865"	\$115.04
KX250 (1911,1938)	PA	00-01	66.4-68.5	3407FA	2.865"	\$115.04
KX250 (1959,1979)	PA	02-03	66.4-68.5	3499FA	2.865"	\$115.04
KX250 (0027)	PA	05-08	66.4-68.5	3498FA	2.865"	\$115.04
KX420	PA	80-81	83-84.5	3249FA	3.502"	\$136.96
KDX420	PA	81				
KX500	PA	88	86-88	3202FA	3.640"	\$136.96
KX500	PA	89-04	86-89.5	3161FA	3.700"	\$115.04
KLT110	PA	83-86	51-53	3410FA	2.253"	\$83.96
KLX110	PA	02-09	53-58	3378FA	2.246"	\$73.89
KLX110 Big Bore to 150	PA	02-09	61	3471FA	2.559"	\$73.89
KX250F	PA	04-08	77-79	3507FA	3.270"	\$82.17
KLX300	PA	97-06	78-80	3541FA	3.310"	\$84.46
KLX400 STD to +4.5mm	PA	03-06	90-94.5	3287FA	3.880"	\$84.65
KLX400 Big Bore	PA	03-06	94-96	3481FA	3.940"	\$101.54
KLX 400 Aluminum Big Bore	PA	00-04	94-96.5	3401FA	3.965"	\$171.71
KX450F	PA	06-08	96-98	3525FA	3.640"	\$101.54

### KAWASAKI atv

Model	Cyl. Type	Year	Bore mm/in	Part #	Sleeve O.D.	Price
KXT250 3-Wheeler	PA	84-85	70-72	3139FA	3.000"	\$131.68
KXT250 3-Wheeler	PA	86-87	70-72	3067FA	3.000"	\$136.96
Tecate 4-Wheeler	PA	87-88	67.4-69.5	3158FA	2.900"	\$136.96
KLT110	RS	84-86	51-53	3410FA	2.253"	\$83.96
KLX110 Mojave		87-89				
KSF250 Mojave, KSX250 Mojave Big Bore 83-84mm	RS	87-05	83-84.5	3393FA	3.503"	\$82.17
KLX300 Bayou	CS	86-04	76-79.5	3348FA	3.305"	\$73.89
KEF300 Lakota		95-03				
KVF300 Prairie		99-03				
KVF360 Praire	CS	03-08	80	3473FA	3.310"	\$78.17
KFX400	PA	03-06	90-94.5	3287FA	3.880"	\$84.65
KFX400 Big Bore to 440cc	PA	03-06	94-96	3481FA	3.940"	\$101.54
KFX450R	PA	07-09	96-98	3522FA		\$101.54
KVF650 Praire	RS	02-03	80-82	3398FA	3.388"	\$86.58
Brute Force		06-09				
Praire Brute Force 750	RS	05-08	85-87	3502FA	3.585"	\$101.54

**CUSTOM SLEEVES made in ONE WEEK!**



1.866.753.3832

Visit [www.advancedsleeve.com](http://www.advancedsleeve.com)  
for New Product Updates and Downloads

## POWERSPORTS Sleeves

### KAWASAKI street

Model	Cyl. Type	Year	Bore mm/in	Part #	Sleeve O.D.	Price
H2 750 Triple STD 2.5mm Overbore	CS	All	71-73.5	<b>3389FA</b>	3.200"	\$124.50
ZX6	RS	95-02	66-67.5	<b>3104FA</b>	Stepped	\$73.89
ZX7R Ninja	RS	96-03	73-75	<b>3477FA</b>	Stepped	\$73.89
KZ900	RS	73-77	70-72	<b>3029FA</b>	2.995"	\$83.96
ZXR9R Ninja	WS	98-99	75-76.5	<b>3261FA</b>	3.230"	\$73.89
ZXR9R	PA	02-03	76-78	<b>3560FA</b>	3.230"	\$73.89
Vulcan 900		06-07	88	<b>3573FA</b>		\$118.07
KZ1000	RS	76-80	70-72	<b>3099FA</b>	2.995"	\$83.96
KZ1000 (Fits overbore kits from 71mm - 77mm)	RS	76-80	71-77	<b>3030FA</b>	3.200"	\$83.96
KZ1000/ GPZ1100 (Fits overbore kits from 80mm - 83.5mm)	RS	76-80	80-83.5	<b>3031FA</b>	3.450"	\$83.96
KZ1000/ GPZ1100 (Sleeve fits overbore kits from 76mm - 79mm)	RS	76-80,83-84	76-79	<b>3010FA</b>	3.275"	\$73.89
ZX11 Ninja	RS	90-91	76-78.5	<b>3421FA</b>	3.314"	\$73.89

### KTM mx/dirt/off-road

Model	Cyl. Type	Year	Bore mm/in	Part #	Sleeve O.D.	Price
50 Air Cooled Non-Reed LEM (FM2076)	CS	96	39-41	<b>3459FA</b>	1.850"	\$93.48
50 Air Cooled Reed LEM (FM2082)	PA	94-01	39-41	<b>3198FA</b>	1.775"	\$85.72
50 Reed Motor	PA	98-01	39-41	<b>3314FA</b>	1.775"	\$85.72
50 Reed Motor Big Bore to 60cc	PA	98-01	43-43.5	<b>3313FA</b>	1.885"	\$85.72
50 Sr.	PA	01-07	39.5-41.5	<b>3424FA</b>	1.795"	\$85.72
65SX.	PA	03-06	45-47	<b>3519FA</b>	1.990"	\$92.48
85SX	PA	04-09	47	<b>3488FA</b>	2.010"	\$92.48
125SX,E/XC	PA	93-94	54.25	<b>3077FA</b>	2.315"	\$92.48
125SX,E/XC	PA	01-07	54	<b>3485FA</b>	2.286"	\$92.48
200M/XC,E/XC	PA	98-02	64-65	<b>3376FA</b>	2.722"	\$92.48
250MX	PA	85-87	67.5-69	<b>3250FA</b>	2.890"	\$120.28
250MX	PA	96-97	67.5-68.5	<b>3256FA</b>	2.860"	\$120.28
250SX,EXC	PA	05-06	66.4	<b>3581FA</b>	2.775"	\$120.28
300M/XC,E/XC	PA	98	72	<b>3580FA</b>	3.060"	\$120.28
300M/XC,E/XC	PA	02-05	72-73.5	<b>3244FA</b>	3.060"	\$120.28
360 Thick Sleeve	PA	96-99	78-78.5	<b>3252FA</b>	3.253"	\$120.28
380SX,E/XC,M/XC	PA	98-02	78-78.5	<b>3269FA</b>	3.253"	\$120.28
520	PA	00-02	95-97	<b>3539FA</b>	4.020"	\$91.54
525SX,EXC		03-07				
550MXC	PA	93-96	92.25	<b>3079FA</b>	3.815"	\$140.13

### POLARIS atv

Model	Cyl. Type	Year	Bore mm/in	Part #	Sleeve O.D.	Price
250 Trail Boss	CS	86-99	72-74.5	<b>3320FA</b>	3.095"	\$110.60
Trail Blazer		90-06				
Xplorer		00-02				
ATV300L, Xplorer 300, Xpress 300	CS	94-00	74.5-75	<b>3105FA</b>	3.115"	\$110.60
ATV400L, Xplorer 400, Scrambler 400, Sport 400, Trailblazer 400	CS	94-05	83-85	<b>3108FA</b>	3.510"	\$110.60
Sportman 335 4x4	CS	99-00	78-79.5	<b>3437FA</b>	3.300"	\$84.94
Sportman 500, Scrambler 500, Magnum 500 (STD to +1mm)	CS	96-07	92-93	<b>3388FA</b>	3.855"	\$84.94
Predator 500	PA	03-07	99.2	<b>3404FA</b>	4.055"	\$86.58
Predator 500 Big Bore	PA	03-07	104.75 to 107.5	<b>3458FA</b>	4.400"	\$110.85
RZR	PA	08-09	80-81	<b>3565FA</b>	3.350"	\$82.17

### BOMBARDIER atv

Model	Cyl. Type	Year	Bore mm/in	Part #	Sleeve O.D.	Price
DS650 Big Bore	PA	All	105	<b>3571FA</b>	4.325"	\$88.67

### ROTAX

Model	Cyl. Type	Year	Bore mm/in	Part #	Sleeve O.D.	Price
500 Cast Iron	RS	All	89-91	<b>3350FA</b>	3.750"	\$100.77
500 Aluminum	RS	All	89-91	<b>3351FA</b>	3.744"	\$171.71
500 Big Bore Aluminum	RS	All	91.5-93	<b>3352FA</b>	3.835"	\$171.71
600 Nikasil Cyl. Debore to 89mm Aluminum	RS	All	89-93.5	<b>3353FA</b>	3.850"	\$171.71
600 Aluminum Debore to 89mm	RS	All	89-99	<b>3364FA</b>	4.066"	\$171.71
600 Aluminum Debore to 95mm	RS	All	95	<b>3354FA</b>	3.900"	\$171.71
600 Aluminum Big Bore	RS	All	102-104	<b>3446FA</b>	4.255"	\$171.71



1.866.753.3832

Visit [www.advancedsleeve.com](http://www.advancedsleeve.com)

for New Product Updates and Downloads

## POWERSPORTS Sleeves

### SUZUKI mx/dirt/off-road

Model	Cyl. Type	Year	Bore mm/in	Part #	Sleeve O.D.	Price
JR50	PA	96-06	41-43	3423FA	1.855"	\$85.72
RM65	PA	03-06	44.5-46.5	3402FA	1.990"	\$85.72
RM80 G,H	CS	86-87	47.5-53	3262FA	2.250"	\$102.05
RM80 J	CS	88	47.5-51.5	3434FA	2.200"	\$102.05
RM80	CS	91-01	47.5-51.5	3111FA	2.200"	\$85.72
RM80 Big Bore	PA	91-01	52	3190FA	2.210"	\$85.72
RM80 Aluminum Big Bore	PA	91-01	47.5-52	3309FA	2.210"	\$190.05
RM85	PA	02-09	48-50	3394FA	2.130"	\$85.72
RM85 Supermini to 99cc	PA	02-09	52	3529FA	2.280"	\$84.08
RM100	PA	03-05	52.5-54	3171FA	2.286"	\$83.02
RM125 Z,D	CS	82-83	54	3121FA	2.285"	\$105.36
RM125 G	CS	86	54	3125FA	2.285"	\$105.36
RM125 H	CS	87	54-55.5	3146FA	2.345"	\$105.36
RM125 Thick Sleeve	CS	87	54-62	3298FA	2.600"	\$105.36
RM125 J	CS	88	54-55.5	3265FA	2.345"	Special Order Call for Pricing
RM125 K	CS	89	54-55	3151FA	2.355"	\$105.36
RM125 L	PA	90	54-55.5	3152FA	2.355"	\$105.36
RM125 M,N	PA	91-92	54-56	3045FA	2.365"	\$105.36
RM125 (#40)	PA	93	54-56	3154FA	2.365"	\$105.36
RM125 (#50,60,70)	PA	94-96	54-55	3156FA	2.340"	\$105.36
RM125	PA	97	54-56	3254FA	2.365"	\$105.36
RM125	PA	98-99	54-56	3299FA	2.365"	\$105.36
RM125	PA	00-03	54-56	3425FA	2.365"	\$92.48
RM125 (#36F)	PA	04-09	54-56	3501FA	2.365"	\$92.48
RM125 to 144cc	PA	04-09	58	3527FA	2.445"	\$106.62
RM250 X	CS	81	67-68.5	3400FA	2.865"	\$136.96
RM250 E,F	CS	82-85	70-75	3123FA	3.120"	\$136.96
RM250 H	PA	87	67-68.5	3147FA	2.870"	\$136.96
RM250 J	PA	88	67-68.5	3150FA	2.860"	\$136.96
RM250 K,L	PA	89-90	67-68.5	3044FA	2.860"	\$136.96
RM250 M,N	PA	91-92	67-68.5	3153FA	2.860"	\$115.04
RM250 (#40)	PA	93	67-68.5	3155FA	2.860"	\$115.04
RM250 (#50)	PA	94	67-68.5	3290FA	2.860"	\$115.04
RM250 (#60)	PA	95	67-68.5	3339FA	2.860"	\$115.04
RM250	PA	96	66.4-68.5	3333FA	2.865"	\$115.04
RM250	PA	97	66.4-68.5	3340FA	2.865"	\$115.04
RM250	PA	98	66.4-68.5	3341FA	2.865"	\$115.04
RM250 (#30)	PA	99	66.4-68.5	3342FA	2.865"	\$115.04
RM250 (37F0)	PA	01	66.4-68.5	3306FA	2.862"	\$115.04
RM250 (37F1)	PA	02	66.4-68.5	3503FA	2.862"	\$115.04
RM250 (37F2)	PA	03	66.4-68.5	3397FA	2.862"	\$115.04
RM250 (37F3, 37F5)	PA	04-08	66.4-68.4	3504FA	2.862"	\$115.04
RMX250	PA	89-90	67-68.5	3207FA	2.860"	\$136.96
RMX250 M,N	PA	91-92	67-68.5	3153FA	2.880"	\$115.04
RMX250	PA	93-98	67-68.5	3088FA	2.860"	\$104.58
RMX250	PA	99-00	67-68.5	3268FA	2.860"	\$115.04
DRZ125 Standard - Big Bore	CS	02-08	57-61	3435FA	2.565"	\$91.54
DRZ250	PA	01-08	73-74	3379FA	3.076"	\$73.89
DRZ250 Big Bore	PA	01-08	80-81	3382FA	3.350"	\$82.17
RM-Z250	PA	04-06	77-79	3507FA	3.270"	\$82.17
DRZ 400 E,S	PA	00-09	90-94.5	3287FA	3.880"	\$84.65
DRZ 400 E,S Big Bore to 440cc	PA	00-09	94-96	3481FA	3.940"	\$101.54
DRZ 400 Aluminum Big Bore	PA	00-09	94-96.5	3401FA	3.965"	\$171.71
RM-Z450	PA	05-07	95.5-98	3526FA	4.020"	\$101.54
DR 750	CS	88-89	105-108.5	3430FA	4.445"	\$100.77

### SUZUKI atv

Model	Cyl. Type	Year	Bore mm/in	Part #	Sleeve O.D.	Price
LT50	PA	02-04	41	3323FA	1.750"	\$85.72
LT80	RS	All	50-54	3438FA	2.285"	\$84.65
LT80 Big Bore to 105cc	RS	All	54	3439FA	2.300"	\$92.48
LT185	CS	84-87	63	3449FA	2.640"	\$110.09
LT250F Quad Racer	CS	85	70-77	3316FA	3.200"	\$131.68

**CUSTOM SLEEVES made in ONE WEEK!**



1.866.753.3832

Visit [www.advancedsleeve.com](http://www.advancedsleeve.com)  
for New Product Updates and Downloads

## POWERSPORTS Sleeves

### SUZUKI atv

Model	Cyl. Type	Year	Bore mm/in	Part #	Sleeve O.D.	Price
LT250G Quad Racer	CS	86	70-70.5	3126FA	2.945"	\$131.68
LT250G Quad Racer Thick Sleeve	CS	86	70-77	3219FA	3.200"	\$131.68
LT250H Quad Racer	CS	87	67-73	3148FA	3.050"	\$131.68
LT250J,K,L,M,N Quad Racer	CS	88-92	67-72.5	3050FA	3.025"	\$115.88
LT500RH Quad Racer	CS	87	86-86.5	3149FA	3.575"	\$143.20
LT500RH Thick Sleeve	CS	87	86-93	3383FA	3.850"	\$143.20
LT500J,K,L Quad Racer	CS	88-91	86-86.5	3251FA	3.575"	\$120.28
LT500J,K,L Quad Racer Thick Sleeve	CS	88-91	86-94	3266FA	3.860"	\$120.28
LT230 Quad Sport	CS	85-94	66	3122FA	2.765"	\$73.89
LT250 FWD Quadrunner, LTF 250, LT F4WD, LT250F, Ozark 250, Z 250	CS	87-95	66-70.5	3276FA	2.935"	\$73.89
Quad Sport Z400	PA	03-09	90-94.5	3287FA	3.880"	\$84.65
Quad Sport Z400 Big Bore to 440cc	PA	03-09	94-96	3481FA	3.940"	\$101.54
R450 Quad Racer	PA	06-09	95.5-98	3515FA	4.040"	\$111.68
LTF500F,LT500AF Vinson	PA	98-07	87.5-88.5	3452FA	3.645"	\$88.67
King Quad 700	PA	05-08	102-103.5	3514FA	4.235"	\$111.68

### SUZUKI street

Model	Cyl. Type	Year	Bore mm/in	Part #	Sleeve O.D.	Price
TS 250X	CS	86-93	70-77	3405FA	3.190"	\$104.58
SV650, V STROM 650 STD. to +1mm	CS	99-06	81-82	3363FA	3.391"	\$94.49
SV650, V STROM 650 Big Bore	CS	99-06	83-84.5	3406FA	3.500"	\$94.49
GS750	CS	77-79	67-68	3277FA	2.878"	\$78.17
GSXR 750LC	RS	92-95	70-71	3090FA	2.996"	\$78.17
GS1100	RS	80-83	73-77	3271FA	3.192"	\$88.83
GS1150		thru 86				
1104-1196cc						
GS100/GS1150	RS	80-83	76-79	3010FA	3.275"	\$73.89
GS1100 Overbore 1463-1496cc	RS	80-83	83-85	3028FA	3.550"	\$67.17
GSXR 1100 STD. to +2mm	RS	86-88	76-79.5	3413FA	3.300"	\$88.83
GSXR1100 (Fits Wiseco Block P1255-P1317)	RS	81-84	83-84.5	3188FA	3.500"	\$78.17
GSXR1100, GSXR1100F Katana	RS	89-92	78-81	3083FA	3.359"	\$78.17
GSXR1100LC	RS	93-98	79.5	3016FA	3.280"	\$78.17
GSF1200S Bandit	CS	84-86	74-81.5	3312FA	3.380"	\$88.83
1400 Intruder	CS	All	96	3384FA	3.940"	\$73.89

### YAMAHA mx/dirt/off-road

Model	Cyl. Type	Year	Bore mm/in	Part #	Sleeve O.D.	Price
YZ50	IC	80	40	3417FA	1.730"	\$110.09
YZ60 (#5X1)		All	42	3224FA	1.800"	\$98.83
PW80	CS	All	49	3582FA	2.090"	\$98.03
YZ80	CS	76	49-54	3456FA	2.285"	Special Order Call for Pricing
YZ80	CS	77	49-54	3272FA	2.300"	\$98.83
YZ80	CS	80	49-53	3275FA	2.350"	\$98.83
YZ80 (#39K)	CS	84	48-49	3093FA	2.100"	\$98.83
YZ80 (#58T)	CS	85	48	3412FA	2.040"	\$110.09
YZ80 (#1LR)	CS	86	48	3304FA	2.035"	\$98.83
YZ80 (#2HF,V,W,B)	CS	87-92	48-50	3172FA	2.130"	\$83.02
YZ80 (#4ES)	PA	93-01	47-49	3177FA	2.090"	\$83.02
YZ80 Supermini to 105cc	PA	93-01	52-52.5	3511FA	2.230"	\$92.48
YZ85 (#5PA)	PA	02-09	47.5-49	3372FA	2.110"	\$83.02
YZ85 Supermini to 105cc	PA	02-09	52-52.5	3511FA	2.230"	\$92.48
YZ125	CS	75	53-56	3208FA	2.361"	\$105.36
YZ125 (5X4)	CS	82	56-62	3482FA	2.624"	\$105.36
YZ125 (#24X)	CS	83	56	3319FA	2.352"	\$105.36
YZ125 (# 55Y)	CS	85	56	3144FA	2.360"	\$105.36
YZ125 (# 3JD)	PA	89	56-57.5	3173FA	2.430"	\$105.36
YZ125 (#3SR)	PA	90	56-58	3175FA	2.445"	\$105.36
YZ125 (#3XJ)	PA	91	56-58	3174FA	2.445"	\$88.50
YZ125 (#4DB)	PA	92	56-57.5	3343FA	2.430"	\$88.50
YZ125 (# 4EX)	PA	93	56-57.5	3178FA	2.430"	\$88.50



1.866.753.3832

Visit [www.advancedsleeve.com](http://www.advancedsleeve.com)

for New Product Updates and Downloads

## POWERSPORTS Sleeves

### YAMAHA mx/dirt/off-road

Model	Cyl. Type	Year	Bore mm/in	Part #	Sleeve O.D.	Price
YZ125 (#4JY,4PE)	PA	94-95	54-56	<b>3182FA</b>	2.365"	\$88.50
YZ125 (# 4SS)	PA	96-98	54-56	<b>3183FA</b>	2.365"	\$88.50
YZ125 (# 5ET,5HD,5MV)	PA	99-01	54-56	<b>3217FA</b>	2.365"	\$88.50
YZ125 (# 5NY)	PA	02	54-56	<b>3422FA</b>	2.365"	\$88.50
YZ125 (# 5UN)	PA	03-04	54-56	<b>3441FA</b>	2.365"	\$88.50
YZ125	PA	05-09	54-56	<b>3506FA</b>	2.365"	\$88.50
YZ125 to 144cc	PA	05-09	58	<b>3520FA</b>	2.445"	\$106.62
RT180	CS	90-00	64.5-65.5	<b>3371FA</b>	2.741"	\$115.04
WR200 (# 3XP)	PA	90-95	66.8-67.5	<b>3200FA</b>	2.830"	\$92.71
YZ250 (#3R4,3V3)	CS	80-81	70-76.5	<b>3295FA</b>	3.178"	\$136.96
YZ250 (# 39X)	CS	84	68-72	<b>3308FA</b>	3.000"	\$136.96
YZ/WR 250 (#3JE)	CS	89	68-72.5	<b>3346FA</b>	3.025"	\$115.04
YZ/WR 250 (# 3SP)	CS	90	68-72.5	<b>3253FA</b>	3.025"	\$136.96
YZ/WR 250 (#3XK)	PA	91	68-72.5	<b>3260FA</b>	3.025"	\$115.04
YZ/WR 250 (#4DA )	PA	92	68-72	<b>3176FA</b>	3.015"	\$115.04
YZ/WR 250 (#4EW )	PA	93	68	<b>3179FA</b>	2.865"	\$115.04
YZ/WR 250 (# 4JX,4MX)	PA	YZ 94-95 WR 94-97	68-70	<b>3181FA</b>	2.915"	\$115.04
YZ250 (#4SR )	PA	96	68-70	<b>3329FA</b>	2.915"	\$115.04
YZ250 (#4XL )	PA	97	68-68.5	<b>3344FA</b>	2.865"	\$115.04
YZ250 (#4XL )	PA	98	68-70	<b>3345FA</b>	2.915"	\$115.04
YZ250 (# 5CU,5MW,5UP)	PA	99-09	66.4-68.5	<b>3332FA</b>	2.865"	\$115.04
YZ490 (#2HJ)	CS	87-90	87-93	<b>3324FA</b>	3.820"	\$136.96
TT-R90	IC	00-06	52	<b>3490FA</b>	2.210"	\$94.49
TT-R250	RS	99-06	73-74.5	<b>3479FA</b>	3.098"	\$82.17
YZ,WR 250F	PA	01-02	77-79	<b>3305FA</b>	3.273"	\$78.43
YZ,WR 250F (5XC)	PA	03-08	77-79	<b>3493FA</b>	3.275"	\$82.17
YZ,WR 250F Big Bore	PA	03-08	80-81	<b>3534FA</b>	3.350"	\$117.67
XT350	PA	85-00	86-88	<b>3311FA</b>	3.625"	\$94.98
YZ400F Big Bore, WR400F Big Bore	PA	98-99 98-00	96-100	<b>3196FA</b>	4.100"	\$82.17
YZ450F, WR450F (#5TA, 2S2)	PA	03-09	95-97	<b>3428FA</b>	3.900"	\$91.54
YZ450F Big Bore (#5TA, 2S2)	PA	03-09	98-100	<b>3489FA</b>	4.100"	\$98.78
SR500 Big Bore +3	RS	78-82	90	<b>3432FA</b>	3.713"	\$88.67
XT550	RS	82-83	92-94.5	<b>3263FA</b>	3.902"	\$100.77
TT600	RS	84-96	95	<b>3564FA</b>	3.035"	\$156.74

### YAMAHA atv

Model	Cyl. Type	Year	Bore mm/in	Part #	Sleeve O.D.	Price
YFS 200 Blaster	CS	88-06	66	<b>3100FA</b>	2.750"	\$96.89
200 Blaster	CS	88-06	72-73	<b>3577FA</b>	3.080"	\$96.89
200 Blaster Thick Sleeve	CS	88-06	66-74	<b>3270FA</b>	3.080"	\$96.89
200 Blaster Aluminum	CS	88-06	67-74	<b>3310FA</b>	3.080"	\$190.05
Tri-Z 250N 3-Wheeler	CS	85-89	68-74	<b>3145FA</b>	3.080"	\$115.88
YFZ 350 Banshee	CS	87-06	64	<b>3061FA</b>	2.660"	\$96.89
YFZ 350 Banshee	CS	87-06	66-69	<b>3578FA</b>	3.000"	\$96.89
YFZ 350 Banshee Thick Sleeve	CS	87-06	64-72	<b>3214FA</b>	3.000"	\$96.89
350 Banshee Aluminum	CS	87-06	64-72	<b>3246FA</b>	3.000"	\$190.05
BW200N	RS	85-90	67-69	<b>3450FA</b>	3.879"	\$136.96
YFM200,YTM200L		84-85				
YFM200 DXT		87-88				
Tri Moto 200		87-88				
Tri Moto 225, YTM 225, YTM225DX	RS	84-89	70-72	<b>3143FA</b>	2.998"	\$83.96
Raptor 250 300cc Big Bore	PA	08-09	81	<b>3570FA</b>	3.450"	\$80.76
YFB250 Timber Wolf	RS	90-00	71-72	<b>3315FA</b>	2.999"	\$73.89
YFM250 Beartracker		99-04				
Bruin 250		06				
Big Bear 250		07-08				

## POWERSPORTS Sleeves

### YAMAHA atv

Model	Cyl. Type	Year	Bore mm/in	Part #	Sleeve O.D.	Price
YFM 350 Warrior	RS	87-04	83-85	<b>3107FA</b>	3.510"	\$78.17
YFM 350 Big Bear		87-99				
YFM 350 Wolverine		95-09				
BW 350 Big Wheel		87-88				
Raptor 350		05-09				
Bruin 350		04-06				
Grizzly 350		07-09				
Kodiak 400	RS	93-99	83-84.5	<b>3237FA</b>	3.515"	\$78.17
Big Bear 400 Air Cooled		00-07				
Kodiak 400	RS	00-06	84.5-86.5	<b>3509FA</b>	3.575"	\$78.17
Grizzly 400 Liquid Cooled		08				
YFZ450F (#5TA, 2S2)	PA	04-09	95-97	<b>3428FA</b>	3.980"	\$91.54
YFZ450F Big Bore to 98 -100mm (#5TA, 2S2)	PA	04-09	98-100	<b>3489FA</b>	4.100"	\$98.78
YFZ450 Aluminum Big Bore	PA	04-09	98-100	<b>3460FA</b>	4.110"	\$171.71
Grizzly 600	PA	98-01	95-97	<b>3191FA</b>	4.019"	\$84.46
Grizzly 600 Big Bore Sleeve for 101mm piston (Crankcase clean up required)		RS	98-01	101	<b>3192FA</b>	4.150"
YFM 660 Raptor	RS	01-05	100-102	<b>3347FA</b>	4.182"	\$84.46
Grizzly 660		02-08				
Rhino		05-07				
YFM 660 Raptor	RS	01-05	105-106	<b>3367FA</b>	4.350"	\$88.67
Grizzly 660		02-08				
Rhino 660 Big Bore to 727cc		05-07				
YFM 660 Raptor	RS	01-05	102-105	<b>3454FA</b>	4.350"	\$171.71
Grizzly 660		02-08				
Rhino 660 Big Bore Aluminum (Must be plated after installation)		05-07				
Raptor 700R	PA	06-09	102-105	<b>3540FA</b>	4.325"	\$88.67
Grizzly 700		07-09				
Rhino 700		09				

### YAMAHA street

Model	Cyl. Type	Year	Bore mm/in	Part #	Sleeve O.D.	Price
RD400	CS	76-78	64-66	<b>3563FA</b>	2.870"	\$136.96
FZR400	RS	88-89	56-57	<b>3247FA</b>	2.405"	\$88.83
FZR600	RS	89-99	59-60	<b>3463FA</b>	2.523"	\$111.71
YZF-R6	PA	99-04	65.5-66.5	<b>3415SA</b>	2.780"	\$82.17
FZ6						
XS650	RS	72-85	75-78	<b>3282FA</b>	3.278"	\$93.39
XS650 Big Bore to 750cc	RS	72-85	80-82	<b>3066FA</b>	3.400"	\$88.67
FZR 1000	RS	87-88	75-76	<b>3094FA</b>	3.152"	\$88.83
FZR 1000 Sleeve will fit piston sizes up to 78mm	RS	89-96	75.5-76.5	<b>3069FA</b>	3.170"	\$78.17
FZR 1000	PA	89-96	77-78	<b>3510FA</b>	3.250"	\$78.17
YZF 1000 Thunder Race		97-98				
YZF R1	PA	99-03	74-76	<b>3369SA</b>	3.150"	\$78.17
FZ1			01-02			
FJ1200 Legend Cars	RS	All	77-78	<b>3006FA</b>	3.231"	\$67.17
FJ 1100	RS	84-85	77-78	<b>3015FA</b>	3.232"	\$73.89
FJ 1200 Sleeve will fit piston sizes 77-78mm, 77mm is STD. for the FJ1200		86-93				
FJ 1100	RS	84-85	79-81	<b>3032FA</b>	3.387"	\$67.17
FJ1200 Big Bore for 79-81mm piston sizes		86-93				
FJ1100	RS	84-85	83-86	<b>3020FA</b>	3.550"	\$73.89
FJ1200 Overbore to 1380cc		86-93				
VMAX 1200	RS	85-05	76-78	<b>3186FA</b>	3.270"	\$78.17
VENTURE 1200		83-85				
VMAX 1200	RS	85-05	84-86	<b>3185FA</b>	3.546"	\$78.17
VENTURE 1200 Big Bore		83-85				
FJR1300	PA	03-08	79-79.5	<b>3470FA</b>	3.075"	\$67.17



1.866.753.3832

Visit [www.advancedsleeve.com](http://www.advancedsleeve.com)

New Product Updates and Downloads

# Personal Watercraft

Model	Cyl Type	Year	Bore mm/in	Part #	Sleeve	Price
<b>ARCTIC CAT</b>						
Tiger Shark 640	CS	93-99	76-79	<b>3294FA</b>	3.275"	\$86.98
Tiger Shark 770	RS	96-99	83-87	<b>3205FA</b>	3.590"	\$86.98
Tiger Shark 900	PA	95-96,99	76.5-81	<b>3297FA</b>	3.352"	\$86.98
Tiger Shark 1000	PA	97-98	81-83	<b>3204FA</b>	3.440"	\$86.98
Tiger Shark 1000 Big Bore to 1100cc	PA	97-98	85-85.5	<b>3216FA</b>	3.620"	\$102.79
<b>KAWASAKI</b>						
JS550 Twin (Crankcase cleanup required for 76.5 & 77mm bore)	IC	86-90	75-77	<b>3227FA</b>	3.115"	\$86.98
JS 550SX Reed	CS	91-96	75-77	<b>3370FA</b>	3.210"	\$79.69
JS,JF,JL 650	CS	86-96	76-83	<b>3043FA</b>	3.440"	\$102.79
JS 750SX A1,A2, A3,A4	CS	92-95	80-81	<b>3080FA</b>	3.315"	\$86.98
JS750 SS A1,A2		92-93				
Sleeve will only accept 80 & 81mm pistons						
JS 750SX A1,A2, A3,A4	CS	92-95	81.5-84.5	<b>3080FB</b>	3.490"	\$90.89
JS750 SS A1,A2		92-93				
Sleeve will only accept 81.5 thru 84.5mm pistons						
JT750 STS B1,B2,B3	CS	95-97	80-85	<b>3242FA</b>	3.600"	\$90.89
JS750 Sxi B1,B2		95-96				
JH750 Zxi C1,C2,C3		95-97				
JH750 SSxi F1,F2		96-97				
JH750 SS E1,E2		96-97				
JT750 STX C1		98				
JH750 Xi SPORT		98-99				
JS750 SXi PRO		99-02				
Thick Sleeve						
JS900 ZXi, JT900 STX	CS	95-04	73-74	<b>3228FA</b>	3.065"	\$86.98
JS900 STS						
Sleeve will only accept 73, 73.5 & 74mm pistons						
JH 1100 Zxi	CS	96-03	80-86	<b>3036FA</b>	3.575"	\$95.67
JT1000STX		96-03				
ULTRA 130DI		01-04				
JH Ultra 150	PA	99-03	80-80.5	<b>3293FA</b>	3.330"	\$86.98
STX R 1200		01-04				
STX 12F	PA	07-08	83	<b>3533FA</b>	3.465"	\$74.50
<b>POLARIS</b>						
SL650	CS	92-96	65-65.5	<b>3229FA</b>	2.741"	\$86.98
SL700 SLT700	RS	96-97	81-86	<b>3211FA</b>	3.551"	\$86.98
SLH,SLTH		98-04				
700 Virage Freedom		02-04				
SL750,SLT750	CS	93-96	69.75	<b>3243FA</b>	2.930"	\$86.98
SL / SLT, SLX780	CS	95-97	71.3-72.5	<b>3281FA</b>	3.017"	\$86.98
SLX 900	RS	96-97	74.5	<b>3230FA</b>	3.295"	\$86.98
SL,SLX,SLTX, SLXH1050	RS	96-99	81-86	<b>3395FA</b>	3.551"	\$86.98
Genesis 1200 Triple, Virage TX,TXI, SLX, X-45 1200, PRO 1200	RS	99-04	84-86	<b>3321FA</b>	3.549"	\$86.98
<b>SEA DOO</b>						
580 LC (Short Finger Ports)	RS	89-96	76-78	<b>3184FA</b>	3.235"	\$90.89
650 XP, EP, SPI, SPX, GTX	RS	93-95	78-79	<b>3241FA</b>	3.314"	\$90.89
718 XP, GTI, HX, SPX, GTS, GS, GSI-750	RS	95-04	82-84.5	<b>3089FA</b>	3.490"	\$90.89
780 XP, SPX, GSX, GTX-785, GTX, RFI, GTI, GSX, RFI-785	RS	95-04	82-84.5	<b>3059FA</b>	3.527"	\$90.89
785 DFI	RS	All	82-85.5	<b>3486FA</b>	3.530"	\$90.89
951GSX,LTD,XP,LTD,GTX,LTD-951,LRV,RX,RX DI,GTXDI,XP DI	RS	97-05	88-91	<b>3203FA</b>	3.764"	\$90.89
951GSX,LTD,XP,LTD,GTX,LTD-951,LRV,RX,RX DI,GTXDI,XP DI51	RS	97-05	91-91.5	<b>3203FB</b>	3.764"	\$90.89
Big Bore						
951 DFI	RS	All	88-91.5	<b>3487FA</b>	3.765"	\$90.89
GTX, RTX, GTI	CS	All	100-101	<b>3532FA</b>	4.108"	\$83.15
<b>YAMAHA</b>						
500 Wave Runner, Wave Jammer	RS	87-92	72-74	<b>3307SA</b>	3.075"	\$90.89
700 Super Jet, Wave Raider	RS	94-08	81-86	<b>3215FA</b>	3.546"	\$90.89
701 Wave Blaster, Wave Runner	RS	94-95	81-84	<b>3054FA</b>	3.468"	\$90.89
760 Wave Blaster, Wave Blaster 2,Wave Raider, Wave Runner GP760	RS	96-00	84-85	<b>3233FA</b>	3.547"	\$86.98
Wave Venture XL750						
GP800	PA	98-04	80-80.5	<b>3291FA</b>	3.330"	\$86.98
XL800		00-01				
XLT800Twin		00-04				
Wave Raider 1100, Wave Venture1100	RS	95-97	81-86	<b>3053FA</b>	3.545"	\$86.98
Wave Runner, GP1200, XL1200Triple, SUV1200	RS	97-99	84-85	<b>3234FA</b>	3.547"	\$86.98
Wave Runner, GP1200, XL1200Triple	RS	97-99	84-86	<b>4000FB</b>	3.565"	\$102.79
SUV1200 Big Bore		99-04				
XL1200LTD	PA	98-01	80-80.5	<b>3286FA</b>	3.330"	\$86.98
GP1200 GR, R		00-02				
XLT1200		01-02				
Ceramic Bore						
GP1300 3-Cylinder Ceramic Bore	PA	03-08	84-85	<b>3448FA</b>	3.485"	\$90.89
VX110	PA	05-08	76	<b>3544FA</b>	3.190"	\$82.63
FX-140	PA	02-08	74-76	<b>3369SA</b>	3.150"	\$78.17
FX-140 Aluminum Plating required after installation	PA	03-08	74-76	<b>6119SA</b>	3.150"	\$156.10

**CUSTOM SLEEVES made in ONE WEEK!**



1.866.753.3832

Visit [www.advancedsleeve.com](http://www.advancedsleeve.com)  
for New Product Updates and Downloads

# SNOWMOBILE Sleeves

## ARCTIC CAT

Model	Cyl. Type	# Cyl.	cc	Bore in / mm	Sleeve OD	Part#	Price
340 Jag, Lynx, Puma, Cheetah, Bearcat, Panther (AG-34) Fan Cooled	PA	2	339	2.362" / 60mm	2.570"	6104FA	\$104.89
Z370 1999-07, Z370ES 2000-03, Z370LX 2004-07, Panther 370 2001, 2004-08 Fan Cooled	PA	2	367	2.362" / 60mm	2.660"	6116FA	\$104.89
440 T-1 (Kawasaki Engine), Fan Cooled	PA	2	431	2.677" / 68mm	2.880"	6003FA	\$104.89
440 El Tigre 4000 1976, Fan Cooled	PA	2	431	2.559" / 65mm	2.777"	6024FA	\$104.89
Trail Cat 4000 1980, 440 Panther (AK-44) 1980-81, 1989-02	PA	2	431	2.559" / 65mm	2.773"	6092FA	\$104.89
440 Bearcat 1996-2000, 440 Jag, SuperJag, AFS 1987-99 Z440 1995-98, Fan Cooled							
Pantera 440 (AJ-44) 1990-93, Prowler 440 (AJ-44) 1990-92 Liquid Cooled	PA	2	436	2.677" / 68mm	2.895"	6025FA	\$104.89
ZR440 (AN-49) 1994-95, Liquid Cooled Liquid Cooled	PA	2	436	2.677" / 68mm	2.879"	6100FA	\$104.89
ZR440 1986-98, Liquid Cooled	PA	2	438	2.618" / 66.5mm	2.840"	6071FA	\$104.89
ZR440 Snow-Pro 1999-2001, Liquid Cooled	PA	2	438	2.618" / 66.5mm	2.760"	6095FA	\$104.89
5000 Series 1976-78, Cougar 5000 1985, Fan Cooled	PA	2	500	2.755" / 70mm	2.975"	6004FA	\$104.89
Cougar 5000 1986-90, Cheetah 500 1986-90 6 Port , Fan Cooled	PA	2	500	2.755" / 70mm	2.975"	6007FA	\$104.89
ZR/ZL500, ZR/ZL500 EFI 1998-00, Powder Special 500 1999-00, Liquid Cooled	PA	2	497	2.795" / 71mm	2.970"	6091FA	\$104.89
ZR/ZL 500 2001-02, ZR/ZL 500 EFI 2001-02	PA	2	497	2.795" / 71mm	2.970"	6124FA	\$104.89
Mountain Cat 500 2001-02 SCEM (88BB), Liquid Cooled							
F5 2003-08	PA	2	499	2.795" / 71mm	3.035"	6137FA	\$107.62
6000 Series 500 1980-81, 1984-86, Liquid Cooled	PA	2	500	2.755" / 70mm	2.918"	6094FA	\$104.89
6000 Series El Tigre 1986-90, Cheetah 530 1986-88, Liquid Cooled	PA	2	529	2.835" / 72mm	3.057"	6014FA	\$104.89
530 El Tigre EXT 1990-91, Liquid Cooled	PA	2	529	2.835" / 72mm	3.025"	6111FA	\$104.89
550 EXT Special, Mountain Cat, Cougar, Bear Cat	PA	2	550	2.889" / 73.4mm	3.065"	6013FA	\$104.89
1991-02 (AA-55), Pantera 550 1993-94, 2002-05, Panther 1997-01, ZL550, ESR 2000-03, Liquid Cooled							
Z570 2002-07, Z570 LX 2007, Mountain Cat 570 2002-06, Bearcat 570 2004-08, Panther 570 2002-06, T570 2008, F570 2008 Fan Cooled	PA	2	565	2.906" / 73.8mm	3.060"	6121FA	\$104.89
EXT580Z, Mountain Cat 1993-94, Liquid Cooled	PA	2	580	2.968" / 75.4mm	3.195"	6018FA	\$104.89
EXT580, Mountain Cat 1995-98, Pantera	PA	2	580	2.968" / 75.4mm	3.195"	6020FA	\$104.89
ZR580 1994-97, 3 Port Exhaust, Liquid Cooled							
580 Pantera (AA-58) 1995-01, EXT DLX 1996-98, ZL580 2000, Liquid Cooled	PA	2	580	2.968" / 75.4mm	3.195"	6018FA	\$104.89
ZRT600 1996-02, EXT600 1997, Powder Extreme 1997-98	PA	3	594	2.618" / 66.5mm	2.850"	6026FA	\$104.89
Triple Touring 1999-01							
<i>Big Bore to 696cc</i>	PA	3	696	2.834" / 72mm	3.175"	6026FB	\$131.29
ZRT600 1996-02, EXT600 1997, Powder Extreme 1997-98, Triple Touring 1999-01, Over bore to 696cc, Aluminum Sleeve Plating required after installation	PA	3	696	2.835" / 72mm	3.175"	6072FA	\$104.89
ZR600 1998-00, ZL600 1999-00, Powder Special 600 1998-00, Liquid Cooled Bridge Exhaust							
<i>Big Bore to 680cc</i>	PA	2	680	3.268" / 83mm	3.540"	6054FB	\$131.29
ZR600 2001-02, ZL 600 2001-03, Mountain Cat 600 EFI 2001-05 (SCEM 88BA) Liquid Cooled	PA	2	599	3.070" / 78mm	3.285"	6125FA	\$104.89
650 Wildcat 1988-90, Liquid Cooled	PA	2	650	3.070" / 78mm	3.290"	6001FA	\$104.89
Wildcat, Mountain Cat 700 1991-96 (AC-70) Liquid Cooled	PA	2	700	3.189" / 81mm	3.440"	6002FA	\$107.62
<i>Big Bore to 790cc</i>	PA	2	790	3.386" / 86mm	3.585"	6002FB	\$131.29
<i>(Cases must be bored &amp; Cylinder head machined)</i>							
ZR700 1994-96 (AB-70), Liquid Cooled	PA	2	700	3.189" / 81mm	3.440"	6056FA	\$107.62
<i>Big Bore to 790cc</i>	PA	2	790	3.385" / 86mm	3.585"	6056FB	\$131.29
<i>(Cases must be bored &amp; Cylinder head machined)</i>							
F7 Firecat EFI 2003-06, Sabercat 700 2004-06, Cross Fire 2006, M-7 2006, Liquid Cooled	PA	2	698	3.137" / 79.7mm	3.350"	6113FA	\$107.62
ZRT800 1995-01 (AA-80), Pantera 800 1998-99 Liquid Cooled	PA	3	794	2.835" / 72mm	3.017"	6019FA	\$104.89
<i>Big Bore to 992cc</i>	PA	3	992	3.169" / 80.5mm	3.340"	6019FB	\$131.29
ZR800, ZL800 2001-03, Mountain Cat 800 2001-04	PA	2	785	3.189" / 81mm	3.391"	6098FA	\$107.62
Pantera 800 2002-04, Liquid Cooled							
<i>Big Bore to 883cc</i>	PA	2	883	3.385" / 86mm	3.588"	6098FB	\$131.29
Thunder Cat 900 1993-97 (AA-90), Liquid Cooled	PA	3	895	3.012" / 76.5mm	3.352"	6015FA	\$104.89
ZR900 2003-06, Mountain Cat 900 2003-06, King Cat 900 2004-06	PA	2	862	3.347" / 85mm	3.605"	6133FA	\$107.62
Thunder Cat 1000 1998-02, Mountain Cat 1000 2001-02, Pantera 1000 2000-01, Liquid Cooled	PA	3	999	3.189" / 81mm	3.400"	6057FA	\$131.29
<i>Big Bore to 1098cc</i>	PA	3	1098	3.347" / 85mm	3.620"	6057FB	\$168.32
<i>(Cylinder head machining required)</i>							
F1000, M1000, CrossFire 1000 07-08	PA	2	1000	3.555" / 90.3mm	3.800"	6141FA	\$107.62



1.866.753.3832

Visit [www.advancedsleeve.com](http://www.advancedsleeve.com)

for New Product Updates and Downloads

# SNOWMOBILE Sleeves

## POLARIS

Model	Cyl. Type	# Cyl.	cc	Bore in / mm	Sleeve OD	Part#	Price
<b>Liberty Engine</b> - Indy XCR440 1998-99, Liquid Cooled (Will not fit Edge Motor)	PA	2	438	2.598" / 66mm	2.820"	<b>6066FA</b>	\$107.62
<b>Fuji Engine</b> - Indy XCR 1992-94, SKS440 1993-95, Cross Country 440 1995-96, Indy 440 1996-97, Indy 440 LC 1996-97, Liquid Cooled	CS	2	432	2.668" / 67.72mm	2.840"	<b>6077FA</b>	\$107.62
<b>Liberty Engine</b> - XCR440 1998-99 Liquid Cooled	PA	2	438	2.598" / 66mm	2.820"	<b>6105FA</b>	\$107.62
<b>Liberty Engine</b> - Indy XC, SP, 440 (EZ66/11R) 2000 Liquid Cooled	PA	2	438	2.598" / 66mm	2.760"	<b>6078FA</b>	\$107.62
<b>Liberty Engine</b> - XCR440 2002-03, Pro X (3021304) Liquid Cooled	PA	2	438	2.598" / 66mm	2.820"	<b>6107FA</b>	\$107.62
<b>Liberty Engine</b> - Pro X440 2002	PA	2	438	2.598" / 66mm	2.840"	<b>6134FA</b>	\$107.62
<b>Fuji Engine</b> - XCF440 1999, XCF440 SP 2001 Fan Cooled	CS	2	438	2.599" / 66mm	2.813"	<b>6120FA</b>	\$107.62
<b>Fuji Engine</b> - 500 Indy, Indy Trail 1986-99, Indy Trail Deluxe 1991-92, 1994-95, Indy Trail Touring 1996-99, Super Trak 1989-92, Super Sport 1994-95, 1997-98, Trail RMK 1997-98, Wide Trak GT 1993-97, Fan Cooled	CS	2	488	2.835" / 72mm	3.037"	<b>6096FA</b>	\$107.62
<b>Liberty Engine</b> - 500 XC SP 2000-05, 07 Liquid Cooled, Variable Exhaust	PA	2	500	2.776" / 70mm	3.000"	<b>6114FA</b>	\$107.62
<b>Fuji Engine</b> - 550 Trail RMK 99-05, 07-08, Super Sport 99-04, 07-08, Trail Touring 00, 02-05, 07-08, Trail Touring DXL 2007, 550LX 07-08, Sport Touring/ES 2000-04, Classic 2002-05, Prox Fan 550 2004, Fan Cooled	CS	2	544	2.874" / 73mm	3.025"	<b>6131FA</b>	\$104.89
<b>Fuji Engine</b> - 580 XLT 1993-94, XLT SP, XLT SKS, Liquid Cooled	CS	3	579	2.519" / 64mm	2.800"	<b>6028FA</b>	\$104.89
<b>Fuji Engine</b> - 600 Indy XCR 1995-96, Indy XLT SP 1996-99 Liquid Cooled	CS	3	597	2.559" / 65mm	2.950"	<b>6055FA</b>	\$104.89
<b>Fuji Engine</b> - 600 XLT SP 1995, XLT, XLT RMK, XLT SKS 1995-97, XLT Touring 1995-97, XLT LTD 1997-98, XLT Classic 1999, Liquid Cooled	CS	3	597	2.559" / 65mm	2.900"	<b>6030FA</b>	\$104.89
<b>Fuji Engine</b> - 600 XCR SP 1996-98, XCR SE 1997, XCR 1997-98, Liquid Cooled	PA	3	598	2.460" / 62.5mm	2.663"	<b>6082FA</b>	\$104.89
<b>Liberty Engine</b> (Non Power Valve) - 600 XC 1998-99, 600 XC Deluxe 45th Anniversary Edition, 600 RMK 1998-03, XC, SP 1999, Indy 600 Classic 2001, Liquid Cooled	PA	2	593	2.933" / 74.5mm	3.100"	<b>6127FA</b>	\$107.62
<b>Liberty Engine</b> (Power Valve V.E.S.) - 600 Indy XC SP 2000-05, Classic, Classic Touring 2000-06, Edge X 2001, RMK 2002-05, Switchback 2002-05, Touring 2002-06, Liquid Cooled	PA	2	599	3.039" / 77.2mm	3.165"	<b>6108FA</b>	\$107.62
<b>Liberty Engine</b> - 600 HO Fusion 2006, Cross Over 2006, CFI 2007, IQ 2007, Switchback CFI 2007, Switchback 2006-08, RMK 2006-08, CFI IQ Touring 2007-08, IQ LX CFI 2007-08, 600 RR 2008 Liquid Cooled	PA	2	599	3.039" / 77.25mm	3.165"	<b>6112FA</b>	\$107.62
<b>Fuji Engine</b> - 650 Indy 1988-91, Liquid Cooled (Sleeve is flush with base of cyl.)	CS	3	648	2.666" / 67.75mm	2.846"	<b>6089FA</b>	\$104.89
<b>Fuji Engine</b> - 650 Indy RXL, SKS EFI 1991-97, Liquid Cooled	CS	3	648	2.666" / 67.75mm	3.085"	<b>6090FA</b>	\$104.89
<b>Fuji Engine</b> - 680 Ultra 1996-98 SP, SKS, RMK, SPX, SPX SE, Touring, Indy XCR 700 1998, Liquid Cooled	PA	3	679	2.622" / 66.6mm	2.785"	<b>6079FA</b>	\$104.89
<b>Liberty Engine</b> - 700 Indy XC, RMK 1997-05, SKS 1997, 1999-03, XC SP 1999-05, Classic 2000-04, Edge 2004, Switchback 2004, Dragon 2007, Dragon RMK 2007, Liquid Cooled	PA	2	700	3.189" / 81mm	3.350"	<b>6058FA</b>	\$107.62
<i>Big Bore to 754cc</i>	PA	2	754	3.307" / 84mm	3.530"	<b>6058FB</b>	\$131.29
<b>Fuji Engine</b> - 700 Indy XCR 1999, (EC70PL) Liquid Cooled Variable Exhaust	PA	3	700	2.657" / 67.5mm	2.680"	<b>6083FA</b>	\$104.89
<b>Fuji Engine</b> - 800 Indy Storm 1994-95, Liquid Cooled	PA	3	700	2.835" / 72mm	3.100"	<b>6041FA</b>	\$104.89
<i>Big Bore to 861cc</i>	PA	2	861	2.953" / 75mm	3.160"	<b>6041FB</b>	\$107.62
<b>Fuji Engine</b> - 800 Indy Storm, SKS, RMK 1996-98, Liquid Cooled Repair Sleeve for Broken Cylinder Skirt	PA	3	794	2.835" / 72mm	3.160"	<b>6042FA</b>	\$104.89
<i>Big Bore to 861cc</i>	PA	3	861	2.953" / 75mm	3.160"	<b>6042FB</b>	\$107.62
<b>Fuji Engine</b> - 800 Indy XCR 1999-02, Liquid Cooled, Variable Exhaust	PA	3	794	2.835" / 72mm	3.037"	<b>6084FA</b>	\$104.89
<b>Liberty Engine</b> (Non Power Valve) - Liberty 800, Indy 800 LE 2001, Indy 800 Snow Check Special 2001, Indy 800 XC, SP 2001, 800 RMK 2000, Liquid Cooled	PA	2	794	3.346" / 85mm	3.510"	<b>6126FA</b>	\$107.62
<b>Liberty Engine</b> - 800 Indy RMK 2000-05, Indy XC SP 2002-05, Switchback 2004-05, Touring 2005 Liquid Cooled	PA	2	794	3.346" / 85mm	3.560"	<b>6117FA</b>	\$107.62
<b>Liberty Engine</b> - 900 Fusion 2005-06, 900 RMK, 900 Switchback 2005-06	PA	2	866	3.268" / 83mm	3.510"	<b>6136FA</b>	\$107.62

## SKI DOO

Model	Cyl. Type	# Cyl.	cc	Bore in / mm	Sleeve OD	Part#	Price
<b>277 Engine Type</b> (Non O-Ring Flange) - Citation 3500 1980-84, Tundra 2 1993-96, Fan Cooled	RS	1	269	2.835" / 72mm	3.077"	<b>6101FA</b>	\$118.38
<b>277 Engine Type</b> (O-Ring Flange) - Tundra II 1997-00, 2002-03, Tundra 280F 2004-05, Skandic 300F 2006, Free Style 300F 2006-08, Fan Cooled	RS	1	269	2.835" / 72mm	3.076"	<b>6109FA</b>	\$106.70
<b>477 Engine Type</b> - Safari 1984-86, 1990-91 Nordik 50 1987-91, Fan Cooled	RS	2	436	2.658" / 67.5mm	2.900"	<b>6106FA</b>	\$106.70
<b>443 Engine Type</b> - 440 Touring LE 1996-00, MXZ 440F 1997-01, 440 Skandic 2001-07, Fan Cooled	RS	2	436	2.658" / 67.5mm	2.900"	<b>6102FA</b>	\$106.70
<b>453 Engine Type</b> - MXZ 440 2003-05, MXZ 440F 1997-01, 440 Skandic 2001-07, Fan Cooled	PA	2	436	2.559" / 65mm	2.800"	<b>6135FA</b>	\$106.70
<b>454 Engine Type</b> - MXZ440 1995-97, MXZx 1997-98, R.A.V.E. Exhaust, Liquid Cooled	RS	2	436	2.658" / 67.5mm	2.870"	<b>6067FA</b>	\$106.70

**CUSTOM SLEEVES made in ONE WEEK!**



1.866.753.3832

Visit [www.advancedsleeve.com](http://www.advancedsleeve.com)  
for New Product Updates and Downloads

# SNOWMOBILE Sleeves

## SKI DOO

Model	Cyl. Type	# Cyl.	cc	Bore in / mm	Sleeve OD	Part#	Price
<b>503 Engine Type</b> (Non O-Ring Flange) - Blizzard 5550, MX 1979-84, Grand Prix Sp 1979-81, Everest 500, Futura 500 1980-82, Grand Prix MX 1981, Sonic 1982, Scandic 500 1987, Stratos 1987-88, Escapade 1987-89, Apline 500 1983-87, Nordik 60 1987-91, Safari 503 1988, Stratos E 1988, Alpine II 1988-95, Safari Voyager 1987, Safari Cheyenne 1989-91, Rally, Scandic IIR 1993, Scandic Wide Track 1995, Fan Cooled	RS	2	497	2.835" / 72mm	3.080"	<b>6065FA</b>	\$106.70
<b>503 Engine Type</b> (O-Ring Flange) - Rally E, Scandic IIR 1994, Scandic IIR SLT 1994, Touring 1996-02, Formula SL 1995-99, Scandic All 1996-03, Formula DLX, SL 500 1997-01, MXZ 500 Fan 2001-02, Legend Fan 2002, Grand Touring Fan 2002, Summit 500 Fan 2002, Fan Cooled	RS	2	497	2.835" / 72mm	3.080"	<b>6070FA</b>	\$106.70
<b>494 Engine Type</b> - MXZ 500 1998, Formula 500 1996-00, Skandic 1997-99, Summit 500 1996-99, Grand Touring 500 1996-00, Touring 500 2000, Formula Z 500 2003, Liquid Cooled, Rotary Valve Motor	RS	2	499.25	2.736" / 69.5mm	3.019"	<b>6080FA</b>	\$106.70
<b>493 Engine Type</b> - MXZ 500 STD 2000-01, MXZ 500 Trail 2001-03, Formula DLX, STD 2001, Grand Touring 2001-03, Legend 500 2002-03 Sport/MXZ 2002 Z 500 R Sport 2002-03 MXZ 500 Adrenaline 500 2003, Liquid Cooled, Cylinder Reed Motor	RS	2	499.25	2.835" / 72mm	3.120"	<b>6122FA</b>	\$106.70
<b>552 Engine Type</b> - MXZ Fan 2003-06, Grand Touring Fan 2003, Legend Fan 2003-04, Summit Fan 2003-05, 07, Expedition Sport 2005, Skandic Fan 2004-07, GSX, GTX Fan 2005-07, Expedition Sport 550F 2006-07 Free Style 550 2006-07 Fan Cooled	RS	2	553	2.992" / 76mm	3.275"	<b>6123FA</b>	\$106.70
<b>582 Engine Type</b> - Formula Plus 1992-93, Grand Touring, Grand Touring XTC 1994, Grand Touring 580 1995-96 No R.A.V.E. Valve, Liquid Cooled	RS	2	581	2.992" / 76mm	3.231"	<b>6110FA</b>	\$106.70
<b>583 Engine Type</b> - MXZ 583 1996-98, Formula Plus X 1993-99, STX 1994-96, Formula 583 1997, Summit 583 1994-97, Formula STX/LT 1994-96, Formula Z 1994-96, Formula DL 583 1998, Z 583 1998, Grand Touring 1997-99 R.A.V.E. Valve, Liquid Cooled	RS	2	581	2.992" / 76mm	3.321"	<b>6061FA</b>	\$106.70
<b>599 Engine Type</b> - Formula III 600 1996-99, Formula III LT 600 1996-98, Liquid Cooled	PA	3	598	2.539" / 64.5mm	2.700"	<b>6074FA</b>	\$106.70
<b>593 H.O. Engine Type</b> - Ski Doo 600 HO Series MXZ James Bond 2003, MXZ 600 2003-06, MXZ Sport 2003-06, MXZ Renegade 2003-05, MXZ Adrenaline 2003-06, Summit 600 2003-04, 2006-07 MXZ 600 Trail 2004-06, Expedition TUV 600 HO SDI 2006-07, Skandic 600 2007, GTX, GSX 600 HO 2006-07 Liquid Cooled	PA	2	594	2.834" / 72mm	3.120"	<b>6115FA</b>	\$106.70
<b>593 Engine Type</b> - 593 MX Z 600 1999-01, MXZ X, MXZ Trail MXZ Adrenaline 2001-02, Summit 600 1999-02, Grand Touring 600 2001-02, Formula DLX 600 2000-01, Formula DLX GSE 2000-01, Formula Z 600 2000, Scandic WT 2001-05, Legend Sport, GS, SE 2002, GTX, GSX Sport 500SS 2006-08, MXZ 500 SS 2006 Liquid Cooled	PA	2	597	2.992" / 76mm	3.275"	<b>6073FA</b>	\$106.70
<b>643 Engine Type</b> - Mach I, XTC, X, XTC II 1991-92 R.A.V.E. , Liquid Cooled	RS	2	617	2.992" / 76mm	3.324"	<b>6032FA</b>	\$106.70
<b>670 Engine Type</b> - MXZ 670 1997-98, Mach I, XTC 1993-96, Grand Touring SE 1994-96, Summit 670 1995-97, Formula SS 1995-96, Formula Z 670 1998-99, Formula DLX 670 1999 R.A.V.E. , Liquid Cooled	RS	2	669	3.071" / 78mm	3.332"	<b>6031FA</b>	\$106.70
<i>Big Bore to 739cc</i>	RS	2	739	3.248" / 82.5mm	3.415"	<b>6031FB</b>	\$131.29
<b>693 Engine Type</b> - Summit 700 1999-02, Summit X 700 2001, Summit Highmark 2001, Formula Deluxe 700 2000, Formula Z 700 2000, Formula DLX GS/GSE 2001, MXZ 700 2000-02, MXZ Adrenaline 2001-02, MXZ Trail 700 2001-02, Grand Touring GS 2001-02, Legend Sport GS 2002 Liquid Cooled	PA	2	698	3.071" / 78mm	3.350"	<b>6075FA</b>	\$106.70
<b>699 Engine Type</b> - Mach 1 700 1997-99, Mach 1R 1999 Grand Touring SE 1997-98, Formula III 700 1998-99, Grand Touring 700 1998-2000 Liquid Cooled	PA	3	699	2.745" / 69.75mm	2.948"	<b>6099FA</b>	\$106.70
<b>779 Engine Type</b> - Mach Z 1995-96, Formula Mach Z 1994 Mach ZLT 1996, Liquid Cooled	PA	3	774	2.736" / 69.5mm	3.017"	<b>6059FA</b>	\$118.38
<i>Big Bore to 889cc</i>	PA	3	889	2.933" / 74.5mm	3.115"	<b>6059FB</b>	\$131.29
<b>793 Engine Type</b> - MXZ 800 2001-06 Summit 800 2001-07, Legend 800 2003-04, Grand Touring 800 2003, GSX Limited 800 2004-07, GTX Limited 2005-06, Liquid Cooled	PA	2	800	3.228" / 82mm	3.430"	<b>6129FA</b>	\$118.38
<b>809 Engine Type</b> - Mach Z 1997-02, Mach Z Tech Plus 2001-02 Grand Touring SE 1999-01, Formula III 800 1999, Mach ZLT 1997-99, Liquid Cooled	PA	3	796	2.776" / 70.5mm	2.995"	<b>6060FA</b>	\$106.70
<i>Big Bore to 889cc</i>	PA	3	889	2.933" / 74.5mm	3.210"	<b>6060FB</b>	\$131.29
<b>995 Engine Type</b> - Mach Z Adrenaline 1000 2005-07, Summit High Mark 1000 2005-07, Renegade 1000 2006-07 Liquid Cooled	PA	2	998	3.464" / 88mm	3.675"	<b>6132FA</b>	\$118.38



1.866.753.3832

Visit [www.advancedsleeve.com](http://www.advancedsleeve.com)

for New Product Updates and Downloads

# SNOWMOBILE Sleeves

## YAMAHA

Model	Cyl. Type	# Cyl.	cc	Bore in / mm	Sleeve OD	Part#	Price
Ovation 340 1998-05, Fan Cooled	CS	2	340	2.362" / 60mm	2.564"	6087FA	\$104.89
440 SRX 1976-80, Liquid Cooled	PA	2	439	2.697" / 68.5mm	2.890"	6005FA	\$104.89
440 SS 1979-83, Fan Cooled	CS	2	437	2.598" / 66mm	2.740"	6062FA	\$104.89
Phazer PZ-480, VT-480 1984-98	CS	2	485	2.835" / 72mm	3.195"	6017FA	\$104.89
Venture 1991-98, Mountain Lite 1997-99 Fan Cooled							
Phazer 500 1999-01, Phazer 500 Deluxe 2001, Venture XL 1999-00, Mountain Lite 2000-01, Fan Cooled	CS	2	485	2.835" / 72mm	3.195"	6063FA	\$104.89
V-Max 500 1994-96, Liquid Cooled	PA	2	493	2.677" / 68mm	2.860"	6010FA	\$104.89
V-Max 500, XT, XTC, SX, Deluxe 1997-01	PA	2	494	2.677" / 68mm	2.860"	6093FA	\$104.89
Venture 500 1997-01, SX500R 2001							
530 SRV 1980-84, SR-5, XL-5, XL-V 1980-89	CS	2	535	2.874" / 73mm	3.290"	6022FA	\$104.89
SRV-540 1988-97, Fan Cooled							
540 V-Max 1983-90, Liquid Cooled	PA	2	535	2.874" / 73mm	3.115"	6006FA	\$104.89
VK-540 1988-05, Fan Cooled (#83R)	CS	2	535	2.874" / 73mm	3.093"	6130FA	\$104.89
Exciter 570 1987-91, Liquid Cooled (#82M)	PA	2	569	2.874" / 73mm	3.272"	6021FA	\$104.89
Exciter II 1991-93, Liquid Cooled (#88R)	PA	2	569	2.874" / 73mm	3.062"	6016FA	\$104.89
Exciter 570 SX 1993, Liquid Cooled (#8AY)	PA	2	569	2.874" / 73mm	3.072"	6103FA	\$104.89
V-Max 600 1994-96, Liquid Cooled (#8CA)	PA	2	598	2.945" / 74.8mm	3.145"	6044FA	\$104.89
V-Max 600 1999, V-Max 600 SX, XT, XTC Deluxe 1997-98	PA	2	598	2.945" / 74.8mm	3.145"	6064FA	\$104.89
Venture 600 1997-98, Mountain Max 600 1997-99 Liquid Cooled (#8CR)							
V-Max 600SX 1999, V-Max 600 DLX 1999-01, V-Max 600ER 2002-03, Venture 600 1999-06, Mountain Max 600 2000-03, SX 600 R 2000-03, SX Venom 2004-06, Liquid Cooled	PA	3	593	2.519" / 65mm	2.780"	6068FA	\$104.89
SRX-600 1998-99, Liquid Cooled, Variable Exhaust	PA	3	598	2.519" / 64mm	2.740"	6086FA	\$104.89
V-Max 700, XT, XTC, SX, V-Max Deluxe 1997-01, V-Max 700 ER 2002, Mountain Max 700 1997-02	PA	3	698	2.776" / 70.5mm	2.940"	6097FA	\$104.89
Venture 700 1998-02, SX 700R 2000-01 (#8CH) Liquid Cooled							
<i>Big Bore to 748cc</i>	PA	3	748	2.874" / 73mm	3.055"	6045FA	\$107.62
SRX-700 1998-02, SX Viper, ER 2002	PA	3	696	2.716" / 69mm	2.900"	6069FA	\$104.89
Venture 700 2004, Liquid Cooled, Variable Exhaust							
<i>Big Bore to 780cc (Cylinder head machining required)</i>	PA	3	780	2.874" / 73mm	3.060"	6069FB	\$107.62
Viper 2003-05 All (8ek), SX Viper Mountain Liquid Cooled	PA	3	696	2.716" / 69mm	2.915"	6118FA	\$107.62
V-Max 4 750, 1992-94 Liquid Cooled	PA	4	743	2.480" / 63mm	2.721"	6034FA	\$104.89
<i>Overbore to 800cc</i>	PA	4	800	2.559" / 65mm	2.760"	6034FB	\$107.62
RS Vector 2005, RS Vector, ER, GT 2005-08, RS Rage 2005-07, Nytro, ER 2005-07, RS Venture 2005-07, Vector Mountain, SE 2005-07, VK Professional 2006-07 (fits 79-82mm bore)	PA	3	973	3.110" / 79mm	3.450"	6128SA	\$104.89
RX-1, ER 2003-06, RX-1 Mountain 2003-05, RX Warrior 2004-05, Apex RTX 2006, Apex ER, GT 2006-08	CS	4	998	2.193" / 74mm	3.150"	3369SA	\$64.45
Attak, GT 2006-07, Apex Mountain 2006-07 (fits 73-76mm bore), Liquid Cooled							
RX-1, ER 2003-06, RX-1 Mountain 2003-05, RX Warrior 2004-05, Apex RTX 2006, Apex ER, GT 2006-07	PA	4	998	2.193" / 74mm	3.150"	6119SA	\$141.58
Attak 2006-07, Apex Mountain 2006-07 (fits 73-76mm bore), Liquid Cooled (Aluminum Sleeve must be plated after installation)							

## KAWASAKI

Model	Cyl. Type	# Cyl.	cc	Bore in / mm	Sleeve OD	Part#	Price
440 Intruder, Fan Cooled		2	436	2.677" / 68mm	2.953"	6027FA	\$105.89

### WARRANTY DISCLAIMER\*

Due to the nature of performance applications, the parts in this catalog are sold without any express warranty or any implied warranty of merchantability or fitness for a particular purpose. Advanced Sleeve shall not, under any circumstances, be liable for any special, incidental or consequential damages, including, person, party or property, but not limited to, damage, or loss of property or equipment, loss of profits or revenue, cost of purchased or replacement goods, or claims of customers of the purchase, which may arise and/or result from sale, installation or use of these parts. Installation of these parts could adversely affect the motor manufacturers warranty coverage.

VENUE-The agreed upon venue, in the event of any dispute whatsoever between the parties, whether instituted by either party, including, but not limited to, contract terms, payment terms, delivery, type, defects, sufficiency of product, shall be the Court of Common Pleas, Lake County, Ohio or the Painesville Municipal Court, Lake County, Ohio, depending on the amount in controversy.

This agreement shall be governed by and construed under the laws of the State of Ohio.

This catalog uses the term "Harley-Davidson" and various model designations of Harley-Davidson Inc. solely for reference and fitment purposes. No affiliation exists between Advanced Sleeve and Harley-Davidson Inc., and the use of any trademarks or other proprietary designations of Harley-Davidson in this catalog should not be construed as indicating sponsorship or official approval by Harley-Davidson, Inc. of Advanced Sleeve or Advanced Sleeve products.

**CUSTOM SLEEVES made in ONE WEEK!**

## Intergrated Sleeve & Combustion Seal Technology

Advanced Sleeve has integrated Gas-Filled Ring (GFR) and Spring Energized Ring (SER) sealing technologies, by Garlock Helicoflex, into our standard and custom sleeve product lines.

The rings, all made from Alloy X750, are designed to contain extreme temperatures and pressures. The rings are silver plated to seal on the head and block with surface finishes better than 50 RA.

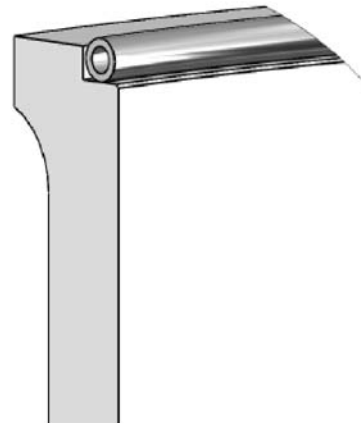


**Garlock Helicoflex®**  
PERFORMANCE METAL SEALS

### GFR 63

#### .063" Gas-Filled Ring

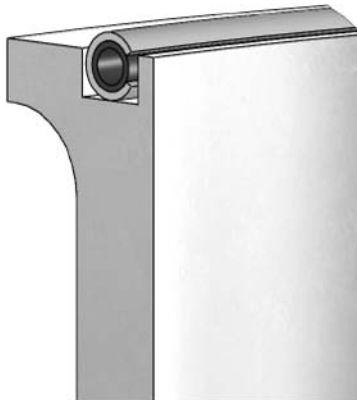
Designed for boosted power sport & import applications.



### GFR 93

#### .093" Gas-Filled Ring

Designed for blown, boosted & nitrous auto and marine applications



### SER 98

#### .098" Spring Energized Ring

Engineered specifically for extreme diesel, drag and marine applications.